

**LUCCI
LOUISVILLE
DC CEILING FAN**

- **INSTALLATION**
- **OPERATION**
- **MAINTENANCE**
- **WARRANTY INFORMATION**

CAUTION
**READ INSTRUCTIONS CAREFULLY FOR SAFE
INSTALLATION AND FAN OPERATION.**

CONTENTS

GB	Installation instruction manual	2
D	Installationsanleitung	14
F	Guide d'installation.....	27
E	Manual de instrucciones de instalación.....	41
I	Manuale delle istruzioni di installazione.....	54
NL	Installatiehandleiding.....	67
EL	Εγχειρίδιο οδηγιών εγκατάστασης	80

Contact:**Beacon International Ltd**

Hong Kong Head Office: Room 05, 18/F, Kimberland Center, 55 Wing Hong Street, Cheung Sha Wan Kowloon, Hong Kong
Tel +852 34915904 Fax +852 34915917

China showroom / Office: 11/FI, Guzhen Lighting Building B, Mid Zhongxing Road, Guzhen, Zhongshan, GuangDong, China.
Tel: +86 760 8986 6388 Fax: +86 760 8986 6380

info@beaconinternational.com

www.beaconinternational.com

Beacon Lighting Europe GmbH

Campus Fichtenhain 42, 47807 Krefeld, Germany

TEL +49 (2151) 325 82 39 FAX +49 (2151) 325 70 65

sales@beaconlighting.eu

www.beaconlighting.eu



GB**THANK YOU FOR PURCHASING**

Thank you for purchasing the latest in energy saving ceiling fans. This fan runs on DC (direct current) power which gives it the benefit of being super energy efficient whilst still maintaining high volume air-movement and silent operation.

Energy saving - The DC motor is the latest technology in fan design. Its highly efficient motor saves up to 65% more energy than ceiling fans with traditional AC motors.

Silent operation – This DC fan motor is programmed with a stabilized current which efficiently reduces motor noise.

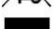
Low operating temperature – The DC power is managed effectively which brings down the motor operating temperature to less than 50°C. This results in a much cooler motor than a standard AC fan and increases the longevity of the motor.

6 speed remote control - Regular AC ceiling fans usually come with only 3 speeds, this DC fan comes complete with a 6 speed remote, which gives a greater choice of comfort levels.

SAFETY PRECAUTIONS

1. In Europe: This appliance can be used by children aged from 8 years and above and persons with reduced physical, sensory or mental capabilities or lack of experience and knowledge if they have been given supervision or instruction concerning the use of the appliance in a safe way and understand the hazards involved. Cleaning and maintenance shall not be undertaken by children without supervision.
2. In Australia: The appliance is not intended for use by persons (including children) with reduced physical, sensory or mental capabilities, or lack of experience and knowledge, unless they have been given supervision or instruction concerning the use of the appliance by a person responsible for their safety.
3. Children should be supervised to ensure that they do not play with the appliance.
4. An all-pole disconnection switch must be incorporated into the fixed wiring, in accordance with local wiring rules.



5.  Do not dispose of electrical appliances as unsorted municipal waste, use separate collection facilities. Contact your local government for information regarding the collection systems available. If electrical appliances are disposed of in landfills or dumps, hazardous substances can leak into the ground water and get into the food chain, damaging your health and well-being.
6. The structure to which the fan is to be mounted must be capable of supporting a weight of 28kg.
7. The fan should be mounted so that the blades are at least 2.3 m above the floor in Europe or 2.1 m above the floor in Australia.
8. This fan is suitable for indoor and alfresco areas where the fan is fully undercover with a minimum of 2 walls. This fan is not waterproof. When installed in an alfresco area, the ceiling fan must be positioned in



This fan is suitable for indoor and alfresco areas where the fan is fully undercover with a minimum of 2 walls. This fan is not waterproof. When installed in an alfresco area, the ceiling fan must be positioned in a location protected from water, wind, dust and salt. Exposure to these elements will void the warranty. Mounting the fan in a situation where it is subject to water or moisture is dangerous.

a location protected from water, wind, dust and salt. Exposure to these elements will void the warranty. Mounting the fan in a situation where it is subject to water or moisture is dangerous and may increase the risk of damage, injury or electrical shock.

9. Must be assembled and installed by a licensed electrician.
10. **WARNING:** If unusual wobbling or oscillating movement is observed, immediately stop using the ceiling fan and contact the manufacturer, its service agent or suitably qualified persons.
11. The replacement of parts of the safety suspension system device shall be performed by the manufacturer, its service agent or suitably qualified persons.
12. The fixing means for attachment to the ceiling such as hooks or other devices shall be fixed with a sufficient strength to withstand 4 times the weight of the ceiling fan; that the mounting of the suspension system shall be performed by the manufacturer, its service agent or suitably qualified persons.



This fan is suitable for indoor and alfresco areas where the fan is fully undercover with a minimum of 2 walls. This fan is not waterproof. When installed in an alfresco area, the ceiling fan must be positioned in a location protected from water, wind, dust and salt. Exposure to these elements will void the warranty. Mounting the fan in a situation where it is subject to water or moisture is dangerous.

PARTS LIST

- Unpack your ceiling fan carefully. Remove all parts and hardware.
- Lay out all the components on a smooth surface and make sure there are no components missing before assembling. If parts are missing, return the complete product to the place of purchase for inspection or replacement.
- Check whether the ceiling fan has been damaged during transport. Do not operate/install any product which appears damaged in any way. Return the complete product to the place of purchase for inspection, repair or replacement.
- Examine all parts, you should have the following:

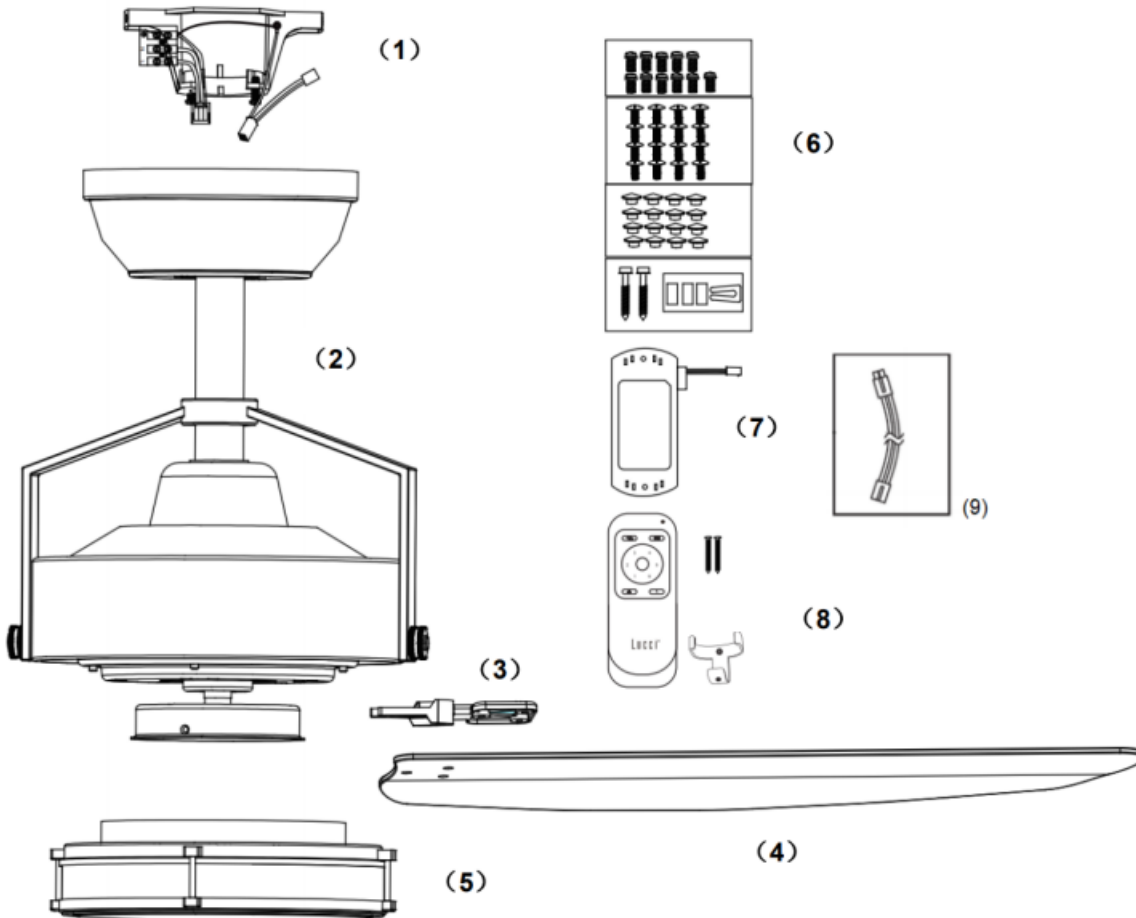


Fig. 1

1	Mounting bracket x 1	7	Remote receiver x 1
2	Fan assembly x 1	8	Remote controller, holder x 1 set
3	Fan blade bracket x 5	9	Light kit extension cable x 1
4	Fan blades x 5		
5	Light kit x 1 (18W GX53 lamp is pre-installed in the light kit)		
6	Installation screws, fan blade screws and balancing kit x 1 set		



This fan is suitable for indoor and alfresco areas where the fan is fully undercover with a minimum of 2 walls. This fan is not waterproof. When installed in an alfresco area, the ceiling fan must be positioned in a location protected from water, wind, dust and salt. Exposure to these elements will void the warranty. Mounting the fan in a situation where it is subject to water or moisture is dangerous.

INSTALLING THE FAN

TOOLS REQUIRED:

- Phillips / flat head screwdriver
- Pair of pliers
- Adjustable spanner
- Step ladder
- Wire cutter
- Wiring, supply cable as required by local provincial and national wiring codes and regulations

INSTALLING THE MOUNTING BRACKET

- The ceiling fan must be installed in a location so that the blades are spaced 300mm from the tip of the blade to the nearest objects or walls.
- Install the hanging bracket to the ceiling joist or structure that is capable of carrying a load of at least 36kg, with two long screws provided. Ensure at least 30mm of the screw is threaded into the support. (Fig. 2)

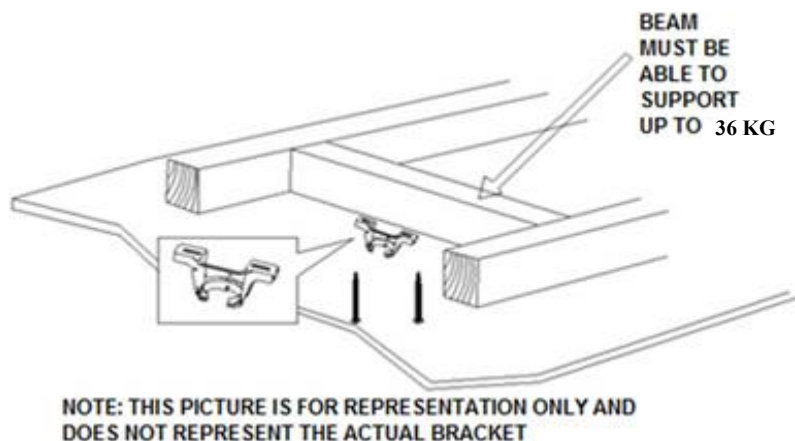


Fig. 2

NOTE: The bracket screws provided are for use with wooden structures only. For structures other than wood, the appropriate screw type **MUST** be used. Ensure the screws used are suitable for the mounting surface and the surrounding environment.

ANGLED CEILING INSTALLATION

This fan hanging system supports a maximum 7 degree angled ceiling installation. (Fig. 3)

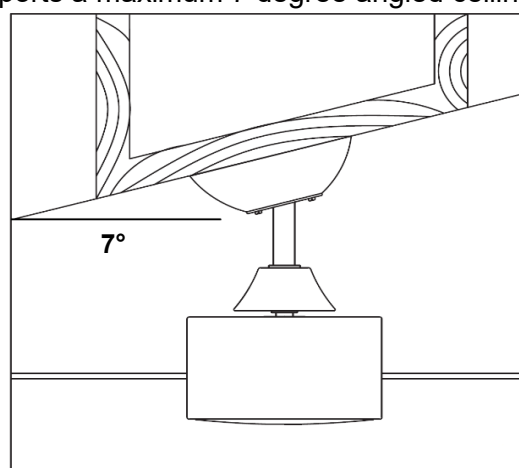


Fig. 3



INSTALLATION OF BLADE (Fig. 4)

1. Install the fan blades to the bracket by tightening the 3 screws to the nuts.
2. Install the bracket to the fan assembly by tightening the 2 screws.
Ensure all screws are tightened evenly to reduce the chance of warping or unbalancing.
Take care not to over tighten the screws, as this can damage the blades
3. Repeat the same process for the other blades.

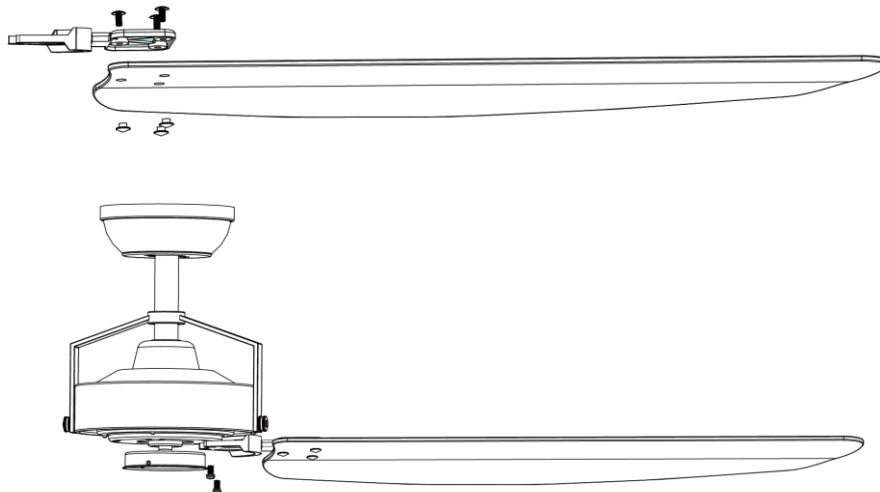


Fig. 4

INSTALLATION OF LIGHT KIT (Fig. 5)

- **NOTE:** The light kit must be installed by a licensed electrician.
- Connect the wires of light kit to the fan assembly via the quick connector.
- Install the light kit on the fan assembly then secure it by turning clockwise.

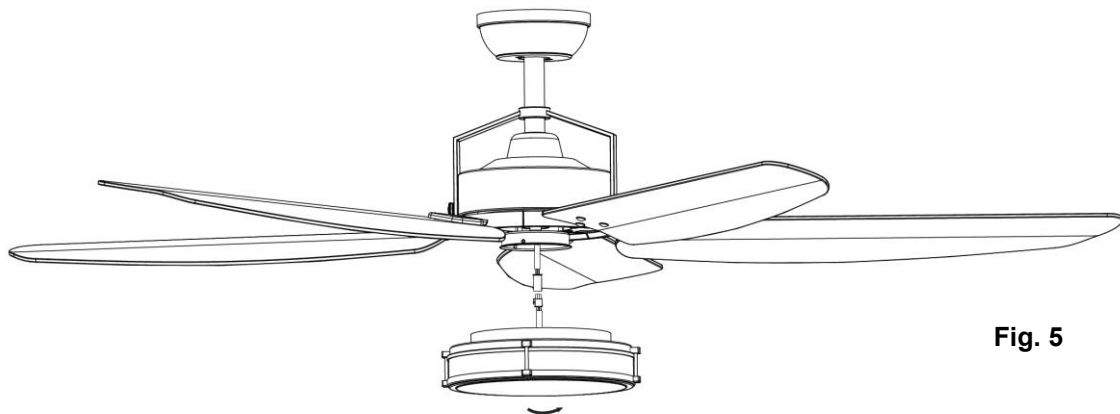


Fig. 5

INSTALLATION OF LAMP (Fig. 6)

- **NOTE:** The GX53 lamp is pre-installed in the light kit. Follow the below if it is required to replace the lamp.
- Remove the lamp shade (C) by loosening the 3 screws (A).
- Replace the GX53 lamp (B) by a new one. Do not exceed the maximum power rating.
- Install the lamp shade (C) back by tightening the 3 screws (A).



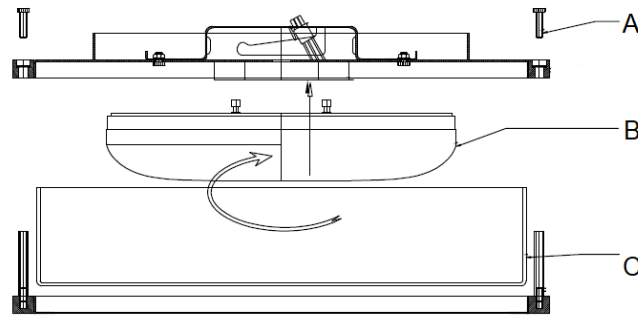


Fig. 6

HANGING THE FAN

Lift the fan assembly onto the mounting bracket. Ensure the key slot (A) of the hanger ball is positioned on the key pin (B) of the mounting bracket (C) to prevent the fan from rotating when in operation. (Fig. 7)

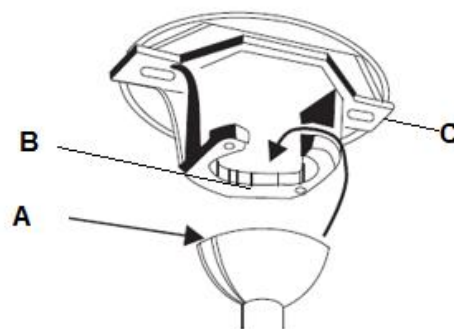


Fig. 7

ELECTRICAL WIRING DIAGRAM THE FAN

PREPARE AND COMPLETE THE ELECTRICAL WIRING --- WIRING DIAGRAM (FIG. 8)

WARNING: FOR YOUR SAFETY ALL ELECTRICAL CONNECTIONS SHOULD BE PERFORMED BY A QUALIFIED LICENSED ELECTRICIAN.

NOTE: AN ADDITIONAL ALL POLE DISCONNECTION SWITCH MUST BE INCLUDED IN THE FIXED WIRING.

NOTE: IF THERE ARE TWO OR MORE DC CEILING FANS INSTALLED IN THE ONE LOCATION, AN ISOLATION SWITCH IS REQUIRED FOR EACH CEILING FAN. THIS IS REQUIRED WHEN PROGRAMMING THE REMOTE AND RECEIVER TO PAIR TOGETHER.

Note: If a down rod extension is used, the Light kit extension cable (item 9, of Fig.1) is required.

From mains supply to mounting bracket terminal block: (Fig. 8)

1. Connect the live supply wire to the "L" terminal of the terminal block on the mounting bracket.
2. Connect the neutral supply wire to "N" terminal of the terminal block on the mounting bracket.
3. Connect earth wire to the earth terminal of the terminal block on the mounting bracket.

From mounting bracket to receiver and motor : (Fig. 8)

4. Connect the supply wiring from the mounting bracket to the input of the DC motor receiver.
5. Connect the output wires of DC motor receiver (from mounting bracket with earth wire) to the output of the DC motor receiver (Fig. 8). Connect the output wires of DC motor receiver with earth wire (from mounting bracket with earth wire) to the input of the fan motor (Fig. 8)
6. Connect the output wires of DC motor receiver to the input wires of the fan light kit.

- Carefully insert the Remote Receiver above the hanger ball in the remainder spacing in the mounting bracket. Take care not to damage or loosen any of the wiring. (Fig. 8).



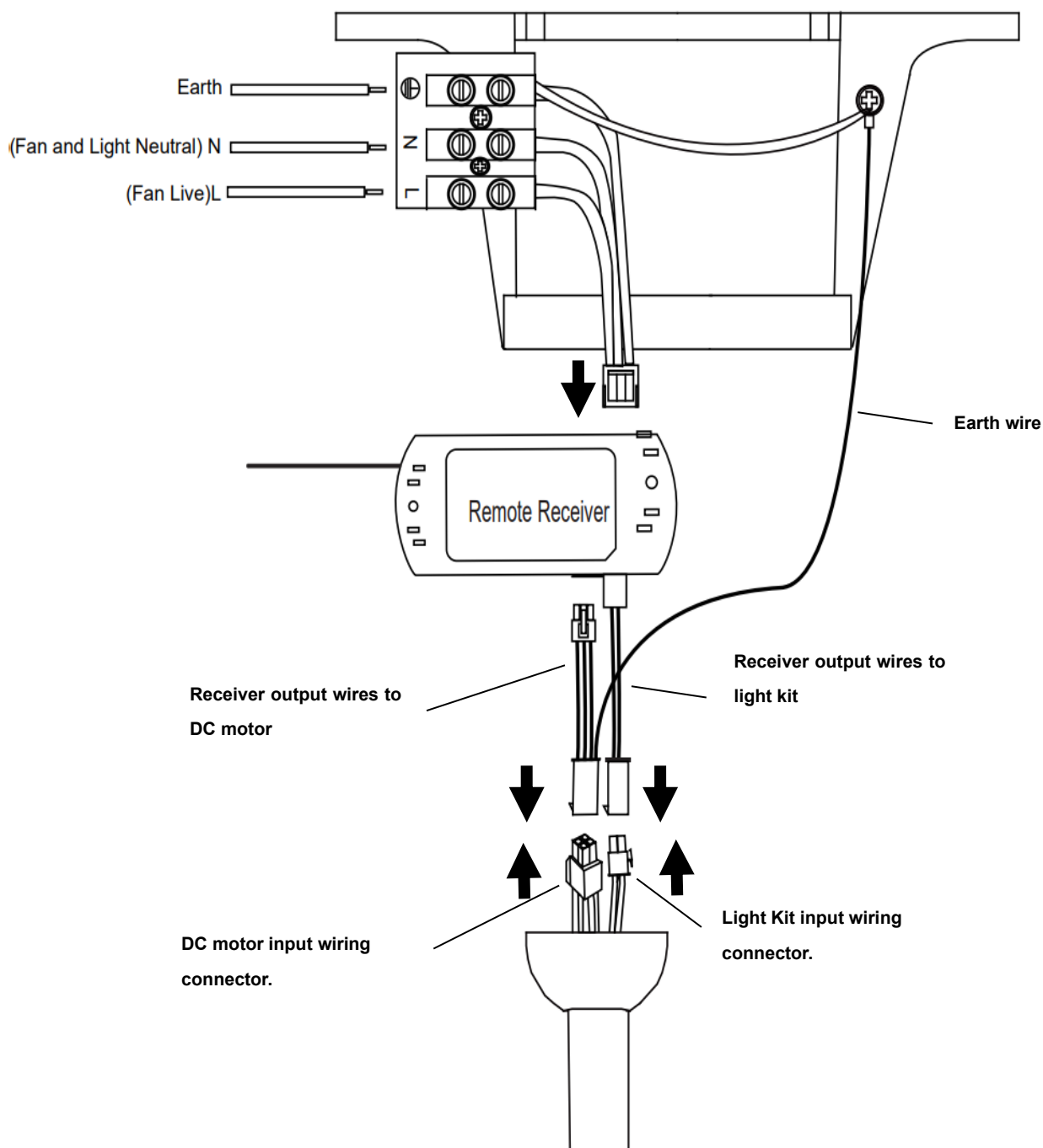
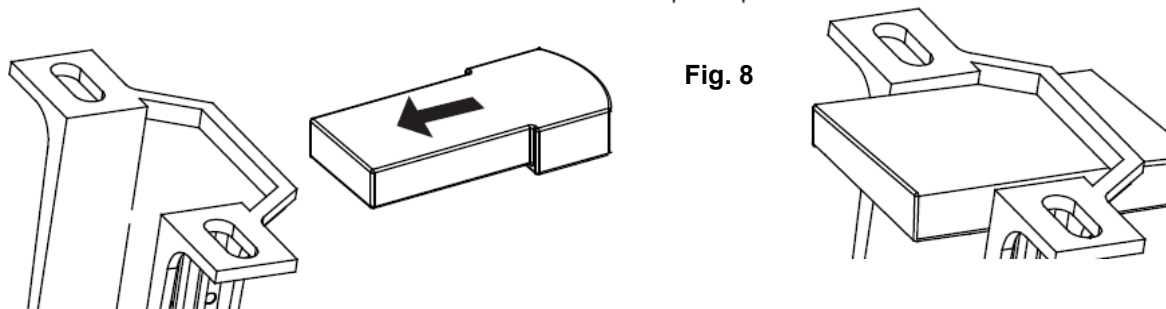


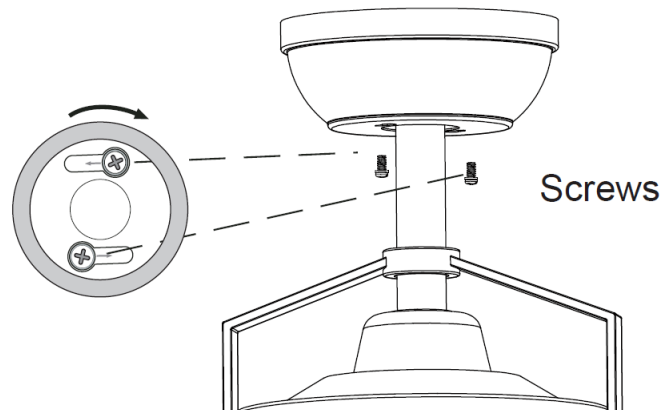
Fig. 8



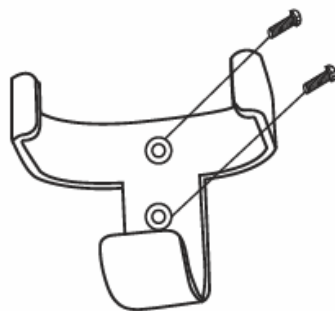
This fan is suitable for indoor and alfresco areas where the fan is fully undercover with a minimum of 2 walls. This fan is not waterproof. When installed in an alfresco area, the ceiling fan must be positioned in a location protected from water, wind, dust and salt. Exposure to these elements will void the warranty. Mounting the fan in a situation where it is subject to water or moisture is dangerous.

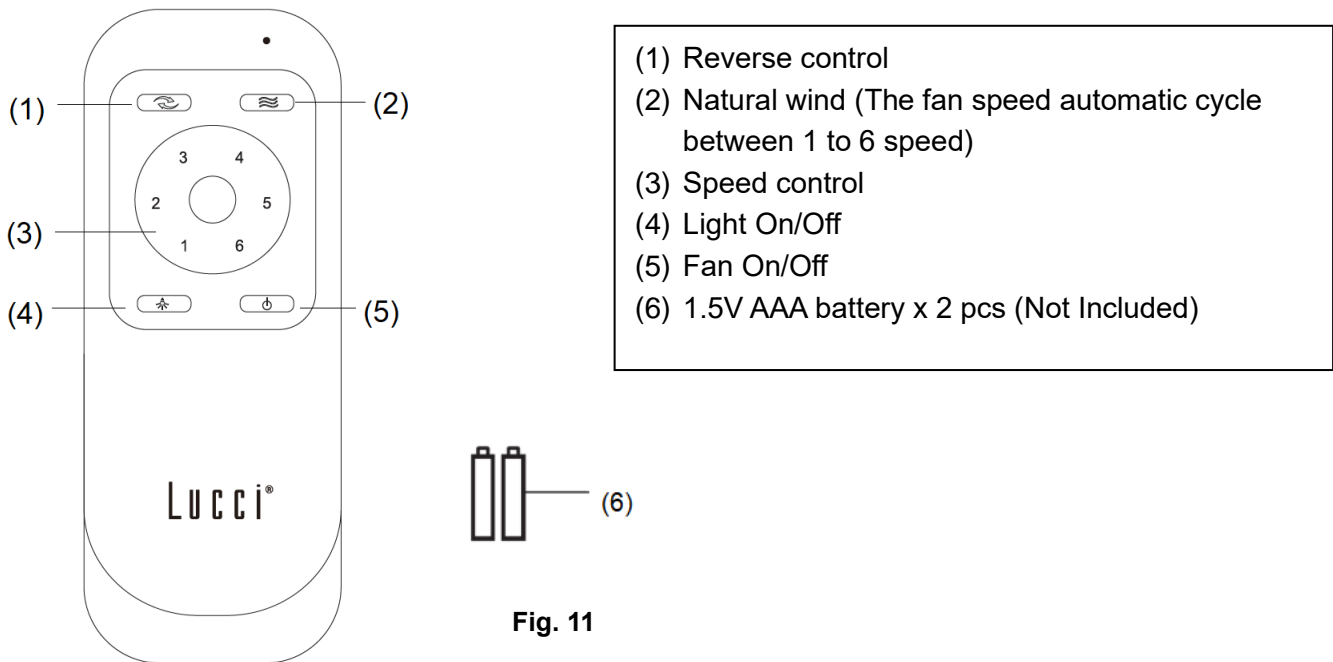
FINISHING THE INSTALLATION**INSTALLATION OF THE CANOPY (Fig. 9)**

1. Ensure the earth wiring is secure and correct, by performing an earthing continuity test from the fan's accessible metal body back to the earth terminal at the terminal block on the mounting bracket.
2. Loosen the 2 screws at the bottom of the mounting bracket.
3. Slide the canopy up to the mounting bracket and align the key holes on the canopy with the screws on the mounting bracket. Turn the canopy until it locks into place with the narrow section of the key holes and secure it by tightening the two screws. Avoid damaging the electrical wiring prepared previously.

**Fig. 9****INSTALLATION OF THE REMOTE CONTROL HOLDER (Fig. 10)**

1. Locate a suitable wall to fix the remote control holder with the 2 screws. (Fig. 10a).
2. Slide the remote into the holder. (Fig. 10b)

**Fig. 10a****Fig. 10b**

USING YOUR CEILING FAN**REMOTE CONTROL (Fig. 11)****LIGHT FUNCTION CONTROL (Fig. 11)**

The GX53 LED lamp has a built-in 3 step dimming circuit.

- Initially turn ON the LED lamp with 100% brightness – press Light button (4) once on the remote.
- Press the Light button to switch OFF and then ON again, within 3 seconds for dimming to 50% brightness.
- Press the Light button to switch OFF and then ON again, within 3 seconds for dimming to 15% brightness.
 (If the ON/OFF toggle switching is not completed within 3 seconds, the lamp will reset to 100% brightness)

PAIRING REMOTE AND RECEIVER – WHEN 1 DC CEILING FAN IS INSTALLED IN ONE LOCATION

NOTE: Ensure that you have installed a single pole disconnection switch in the fixed wiring for the fan.

NOTE: Ensure power to the receiver is ON prior to pairing the remote with the receiver.

- Turn OFF the mains supply to the fan by on/off wall switch.
- Install the batteries into the remote. Please make sure the polarity of the battery is correct.
- Turn ON the power to the receiver.
- Press and hold the “⏻” button on the remote for 10 seconds within 30 seconds of switching the power ON to the receiver of the ceiling fan.
- There will be a notification ‘beep’ sound from the receiver to indicate that the pairing process is successful.
- Turn ON and change the speed of the ceiling fan via the remote to check the operation and successful pairing.




PAIRING REMOTE AND RECEIVER – WHEN 2 OR MORE DC CEILING FANS ARE INSTALLED IN ONE LOCATION

When two or more ceiling fans are located near each other, you may desire to have the remote/receiver for each fan paired so that the operation of one fan does not affect the operation of the other fans.


NOTE: Ensure that you have installed a single pole disconnection switch in the fixed wiring for each fan.

NOTE: Ensure power to the Receiver is **ON** prior to pairing the remote with the receiver.

Remote / Receiver pairing for ceiling fan 1:

- Turn OFF the mains supply to the receivers of both ceiling fans 1 and 2.
- Install the batteries into the remote. Please make sure the polarity of the battery is correct.
- Turn ON the power to receiver 1. Keep the power OFF to receiver 2. (Each ceiling fan must have its own isolation switch, so that only the ceiling fan that needs to be paired with the transmitter will be ON).
- Press and hold the “” button of **transmitter 1** for 10 seconds within 30 seconds of switching the power ON to the receiver of ceiling fan 1.
- There will be a notification ‘beep’ sound from the receiver to indicate that the pairing process is successful.
- Turn ON and change the speed of the ceiling fan 1 by the transmitter to check the operation and successful pairing.

Remote / Receiver pairing for Ceiling fan 2:

- Turn OFF the mains supply to the receivers of both ceiling fans 1 and 2.
- Install the batteries into the remote. Please make sure the polarity of the battery is correct.
- Turn ON the power to receiver 2. Keep the power OFF to receiver 1. (Each ceiling fan must have its own isolation switch, so that only the ceiling fan that needs to be paired with the transmitter will be ON).
- Press and hold the “” button of **transmitter 2** for 10 seconds within 30 seconds of switching the power ON to the receiver of ceiling fan 2.
- There will be a notification ‘beep’ sound from the receiver to indicate that the pairing process is successful.
- Turn ON and change the speed of ceiling fan 2 by the transmitter to check the operation and successful pairing.

REPAIRING THE FAN RECEIVER & REMOTE PAIRING

Should the remote and receiver lose control after installation or during use, the pairing of the remote and the receiver must be repaired. Below are the operating symptoms and method to repair the pairing of the DC ceiling fan remote and receiver.



Issues:

- Loss of control - Fan is only running at high speed after installation
- Loss of control - No reverse function after installation
- Loss of control - Remote cannot communicate with the receiver

Solution:

- Switch off the main power of ceiling fan.
- Switch on the main power of the ceiling fan. Follow the same process as described in the 'Pairing remote and receiver' section to repair your fan.
- Turn on and select the different speed of the ceiling fan to check the operation of the fan.

AFTER INSTALLATION

NOTE: Ceiling fans tend to move during operation due to the fact that they are mounted on a rubber grommet. If the fan was mounted rigidly to the ceiling it would cause excessive vibration. Movement of a few centimeters is quite acceptable and DOES NOT suggest any problem.

TO REDUCE THE FAN WOBBLE: Please check that all screws which fix the mounting bracket and down rod are secure.

BALANCING KIT: A balancing kit is provided to balance the ceiling fan on initial installation. Please refer to the instruction on how to use the balancing kit. The balancing kit can be used to assist re-balancing should the ceiling fan become un-balanced again. Store your balancing kit away after installation for future use if required.

NOISE:

When it is quiet (especially at night) you may hear occasional small noises. Slight power fluctuations and frequency signals superimposed in the electricity for off-peak hot water control, may cause a change in fan motor noise. This is normal. Please allow a 24-hour "settling-in" period, most noises associated with a new fan disappear during this time.

The manufacturer's warranty covers actual faults that may develop and NOT minor complaints such as hearing the motor run – All electric motors are audible to some extent.

CARE & CLEANING

NOTE: Always turn OFF the power at the mains switch before performing any maintenance or attempting to clean your fan.

- Every 6 months periodic cleaning of your ceiling fan is the only maintenance required. Use a soft brush or lint free cloth to avoid scratching the paint finish. Please turn off electricity power when you do so.
- Do not soak or immerse your ceiling fan in the water or other liquids. It could damage the motor or the blades and create the possibility of an electrical shock.
- Ensure that the fan does not come in contact with any organic solvents or cleaners.
- To clean the fan blade, wipe with only a damp clean cloth with NO organic solvents or cleaners.
- The motor has a permanently lubricated ball bearing so there is no need to oil.



SAFETY PRECAUTIONS FOR BATTERY

- **WARNING** – Keep new and used batteries away from children.
- **CAUTION** – Do not ingest battery—Chemical burn hazard.
- Always use 2 x AAA battery type with this ceiling fan remote controller.
- Ensure the batteries are inserted with the correct polarity.
- To prevent false operation during battery insertion or replacement, this ceiling fan must be disconnected from the supply mains.
- Remove batteries from the product when not in use for long periods of time.
- Batteries must be removed from the remote transmitter before it is discarded.
- Dispose of exhausted batteries immediately and safely (so they cannot be retrieved by children). Batteries can still be dangerous. Contact your local council to safely dispose of the battery.
- Regularly check the product and make sure the battery box lid is correctly secured. If the battery compartment does not close securely, stop using the product and keep it away from children.
- If you think batteries might have been swallowed or placed inside any part of the body, seek immediate medical attention.

TECHNICAL INFORMATION

Fan	62" fan - Louisville
Fan Models / SKU#	LD-62" LOU / SKU# 213175, 213176
Rated Voltage	220-240V~ 50Hz
Rated Wattage (Motor)	42W
Lighting source	This product contains a light source of energy efficiency class E
Rated wattage (Lamp)	SKU# 121357: GX53,18W, 3000K, 3 step-dim (Included) Also compatible with SKU# 121358: GX53,18W, 4000K, 3 step-dim (not included)
Battery for remote	2 x AAA (Not Included)
Weight	8.3kg
Canopy Dimensions	H:58mm Dia:150mm

WARRANTY INFORMATION

IN AUSTRALIA / NEW ZEALAND – Please refer to the separated WARRANTY STATEMENT.

IN EUROPE – If you are a European customer please contact the retail outlet where the fan was purchased for warranty service.



This fan is suitable for indoor and alfresco areas where the fan is fully undercover with a minimum of 2 walls. This fan is not waterproof. When installed in an alfresco area, the ceiling fan must be positioned in a location protected from water, wind, dust and salt. Exposure to these elements will void the warranty. Mounting the fan in a situation where it is subject to water or moisture is dangerous.

D

VIELEN DANK FÜR IHREN KAUF

Vielen Dank, dass Sie sich für einen der neuesten energiesparenden Deckenventilatoren entschieden haben. Dieser Ventilator wird mit Gleichspannung (DC) betrieben. Dadurch ist er nicht nur äußerst energieeffizient, sondern er sorgt auch für ein hohes Maß an Luftumwälzung bei leisem Betrieb.

Energieeinsparung – Der DC-Motorbetrieb ist die neueste Ventilator-technik. Der hocheffiziente Motor spart bis zu 65 % mehr Energie als Deckenventilatoren mit herkömmlichen Wechselstrommotoren.

Geräuscharmer Betrieb – Dieser Gleichstrom-Ventilator-Motor wurde mit stabilisiertem Strom programmiert, wodurch das Motorgeräusch effizient reduziert wird.

Niedrige Betriebstemperatur – Mit der Gleichstromleistung wird effektiv gehaushaltet, sodass die Betriebstemperatur des Motors auf weniger als 50 °C sinkt. Der Motor bleibt dadurch viel kühler als ein Standard-Wechselstromantrieb und er hält länger.

Fernbedienung mit 6 Stufen – Normale Wechselstrom-Deckenventilatoren haben nur 3 Stufen. Dieser Gleichstromventilator wird mit einer Fernbedienung mit 6 Stufen ausgeliefert, wodurch eine größere Auswahl an Komfortstufen vorhanden ist.

SICHERHEITSVORKEHRUNGEN

1. In Europa: Dieses Gerät kann von Kindern ab 8 Jahren sowie Personen mit eingeschränkten physischen, sensorischen oder geistigen Fähigkeiten oder Mangel an Erfahrung und Wissen im Umgang mit dem Gerät verwendet werden, wenn sie beaufsichtigt oder bezüglich des sicheren Gebrauchs unterwiesen wurden und die daraus resultierenden Gefahren kennen. Ohne Aufsicht dürfen Kinder keine Reinigungs- und Wartungsarbeiten durchführen.
2. In Australien: Das Gerät ist nicht dafür bestimmt, von Personen (einschließlich Kindern) mit eingeschränkten physischen, sensorischen oder geistigen Fähigkeiten oder mangelnder Erfahrung und/oder mangelndem Wissen benutzt zu werden, es sei denn, sie werden durch eine für ihre Sicherheit zuständige Person beaufsichtigt oder erhalten von ihr Anweisungen, wie das Gerät zu benutzen ist.
3. Kinder müssen beaufsichtigt werden, um sicherzustellen, dass sie nicht mit dem Gerät spielen.
4. In die feste Verkabelung muss ein allpoliger Trennschalter gemäß den örtlichen Verkabelungsvorschriften eingebaut werden.



5. Entsorgen Sie elektrische Geräte nicht als unsortierten Hausmüll, sondern nutzen Sie separate Sammelstellen.

Wenden Sie sich an Ihre Gemeindeverwaltung, um Informationen über die verfügbaren Sammelsysteme zu erhalten. Wenn Elektrogeräte auf Deponien entsorgt werden, können Gefahrstoffe in das Grundwasser sickern und in die Nahrungskette gelangen, was Ihrer Gesundheit und Ihrem Wohlbefinden schadet.

6. Das Gefüge, an dem der Ventilator montiert werden soll, muss ein Gewicht von 28 kg tragen können.
7. Der Ventilator sollte so montiert werden, dass sich die Rotorblätter in Europa mindestens 2,3 m über dem Boden



und in Australien 2,1 m über dem Boden befinden.

8. Dieser Ventilator ist für Innen- und Außenbereiche geeignet, sofern er sich vollständig unter einem Dach befindet und von mindestens 2 Wänden umgeben ist. Dieser Ventilator ist nicht wasserfest. Im Freien muss der Deckenventilator an einem Ort installiert werden, der vor Wasser, Wind, Staub und Salz geschützt ist. Andernfalls erlischt die Garantie. Die Montage des Ventilators unter Bedingungen, unter denen er Wasser oder Feuchtigkeit ausgesetzt ist, ist gefährlich und kann das Risiko von Schäden, Verletzungen oder Stromschlägen erhöhen.
9. Das Produkt muss von einem geprüften Elektriker zusammengebaut und installiert werden.
10. **WARNUNG:** Bei ungewöhnlichen Unwucht- oder Schwenkbewegungen ist der Deckenventilator sofort außer Betrieb zu nehmen und der Hersteller, sein Servicepartner oder entsprechend qualifizierte Personen zu kontaktieren.
11. Teile der Sicherheitsaufhängung müssen vom Hersteller, seinem Servicepartner oder entsprechend qualifizierten Personen ausgetauscht werden.
12. Die Befestigungsmittel für die Deckenmontage, wie z. B. Haken oder andere Vorrichtungen, müssen so fest montiert werden, dass sie das 4-fache Gewicht des Deckenventilators halten können. Die Montage des Aufhängungssystems muss vom Hersteller, seinem Servicepartner oder entsprechend qualifizierten Personen ausgeführt werden.



This fan is suitable for indoor and alfresco areas where the fan is fully undercover with a minimum of 2 walls. This fan is not waterproof. When installed in an alfresco area, the ceiling fan must be positioned in a location protected from water, wind, dust and salt. Exposure to these elements will void the warranty. Mounting the fan in a situation where it is subject to water or moisture is dangerous.

TEILELISTE

- Packen Sie Ihren Deckenventilator vorsichtig aus. Entnehmen Sie alle Teile und Befestigungsmittel.
- Breiten Sie alle Bauteile auf einer glatten Fläche aus und vergewissern Sie sich vor der Montage, dass keine Teile fehlen. Falls Teile fehlen, bringen Sie das komplette Produkt zwecks Überprüfung oder Austausch zu der Verkaufsstelle zurück.
- Prüfen Sie, ob der Deckenventilator während des Transports beschädigt wurde. Benutzen bzw. montieren Sie das Produkt nicht, wenn es in irgendeiner Weise einen beschädigten Eindruck macht. Bringen Sie das komplette Produkt zwecks Überprüfung, Reparatur oder Austausch zu der Verkaufsstelle zurück.
- Überprüfen Sie alle Teile. Folgendes sollte sich im Paket befinden:

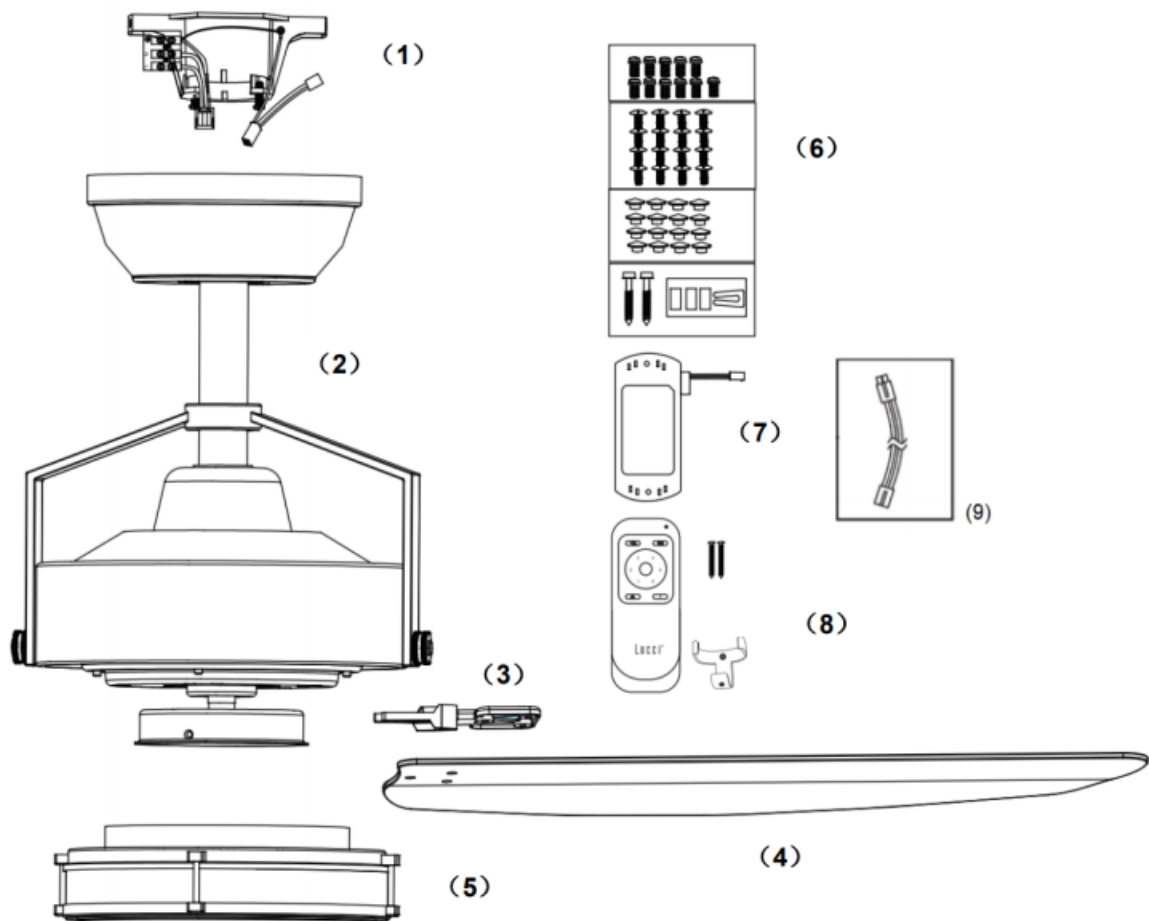


Abb. 1

1	1 x Halterung	7	1 x Fernbedienungsempfänger
2	1x Ventilator	8	Fernbedienung, 1x Halter
3	5 x Rotorblatthalterungen	9	1x Verlängerungskabel für Beleuchtungsset
4	5 x Rotorblätter		
5	1 x Beleuchtungsset (18 W GX53 Lampe ist bereits im Beleuchtungsset montiert)		
6	Montageschrauben, Rotorblattschrauben und 1x Auswuchtset		



MONTAGE DES VENTILATORS

BENÖTIGTE WERKZEUGE:

- Kreuzschlitz-/ Schlitz-Schraubendreher
- Zange
- Einstellbarer Schraubenschlüssel
- Trittleiter
- Seitenschneider
- Verkabelung, Versorgungskabel gemäß den örtlichen und nationalen Verkabelungsvorschriften und -bestimmungen

MONTAGE DER HALTERUNG

- Der Deckenventilator muss an einer Stelle montiert werden, an dem die Rotorblattspitzen einen Mindestabstand von 300 mm zu den nächsten Gegenständen oder Wänden haben.
- Schrauben Sie mithilfe der beiden langen mitgelieferten Schrauben die Halterung an einen Deckenbalken oder Träger an, der mindestens 36 kg tragen kann. Stellen Sie sicher, dass mindestens 30 mm der Schraube in das tragende Bauteil eingeschraubt sind. (Abb. 2)

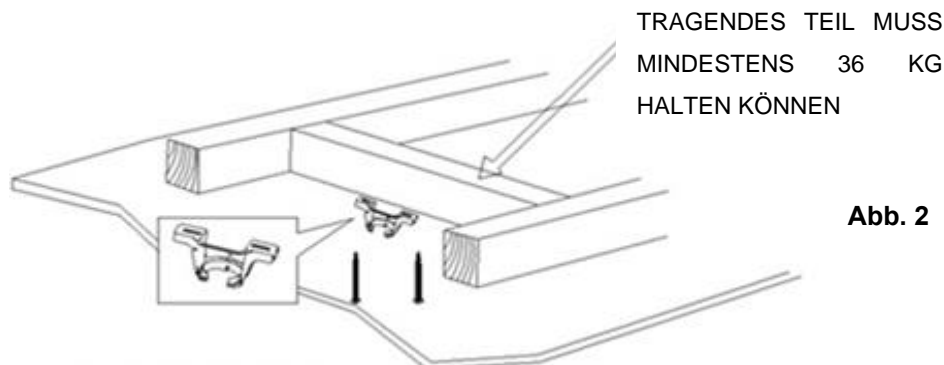


Abb. 2

HINWEIS: DIESES BILD DIENT NUR ZUR VERANSCHAULICHUNG UND ZEIGT NICHT DIE TATSÄCHLICHE HALTERUNG.

HINWEIS: Die mitgelieferten Befestigungsschrauben sind nur für Holzkonstruktionen geeignet. Für andere Konstruktionen als Holz MUSS der entsprechende Schraubentyp verwendet werden. Stellen Sie sicher, dass die verwendeten Schrauben für die Montagefläche und die Umgebung geeignet sind.

MONTAGE AN EINER SCHRÄGDECKE

Diese Ventilator-Aufhängung eignet sich für eine maximale Schräge von 7 Grad. (Abb. 3)

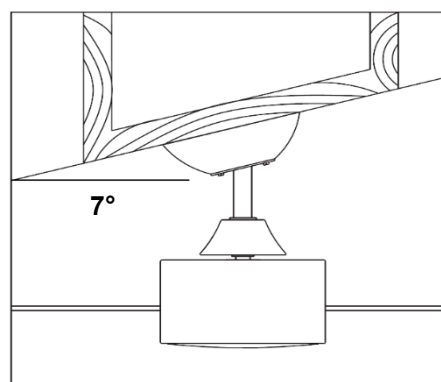
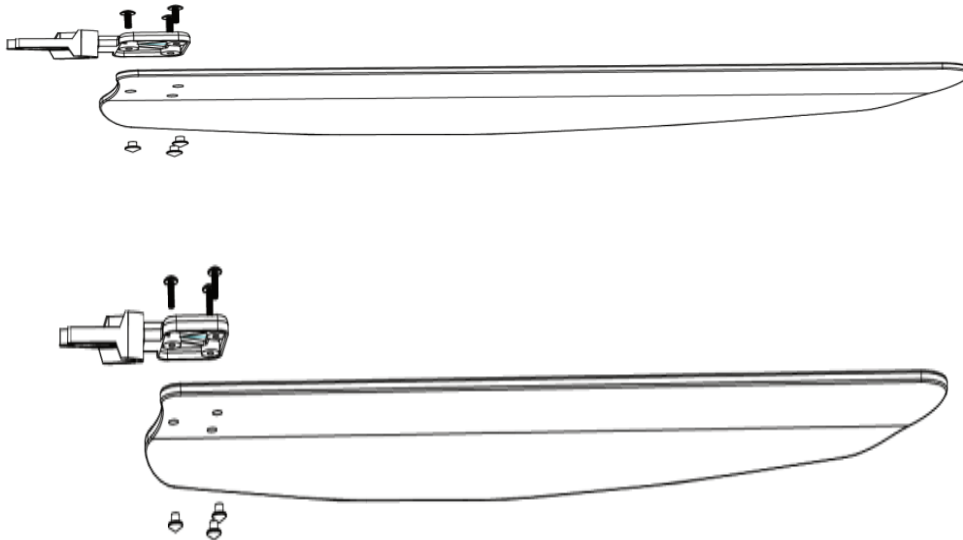


Abb. 3

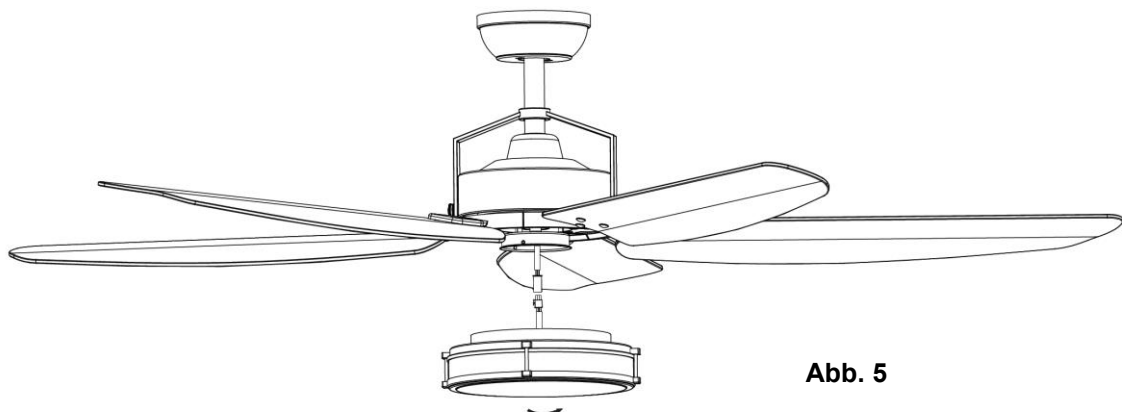


ROTORBLATTMONTAGE (Abb. 4)

1. Schrauben Sie die Rotorblätter mit den 3 Schrauben an die Muttern der Halterung an.
2. Schrauben Sie die Halterung mit den 2 Schrauben am Ventilator an.
Achten Sie darauf, alle Schrauben gleich fest anzuschrauben. Dadurch verringert sich die Gefahr eines Materialverzugs und einer Unwucht.
Achten Sie darauf, die Schrauben nicht übermäßig fest anzuziehen, da die Rotorblätter sonst beschädigt werden könnten.
3. Wiederholen Sie den Vorgang bei den übrigen Rotorblättern.

**Abb. 4****INSTALLATION DES BELEUCHTUNGSSETS (Abb. 5)**

- **HINWEIS:** Das Beleuchtungsset muss von einem geprüften Elektriker installiert werden.
- Schließen Sie die Kabel des Beleuchtungssets mit der Schnellkupplung am Ventilator an
- Halten Sie das Beleuchtungsset vor den Ventilator und drehen Sie es im Uhrzeigersinn fest.

**Abb. 5**

MONTAGE DER LAMPE (Abb. 6)

- **HINWEIS:** Die GX53-Lampe ist bereits im Beleuchtungsset montiert. Zum Auswechseln des Leuchtelements wie folgt vorgehen.
- Schrauben Sie den Lampenschirm (C) an den 3 Schrauben (A) ab.
- Wechseln Sie das GX53 Leuchtmittel (B) aus. Die maximale Nennleistung darf nicht überschritten werden.
- Schrauben Sie den Lampenschirm (C) mit den 3 Schrauben (A) wieder an.

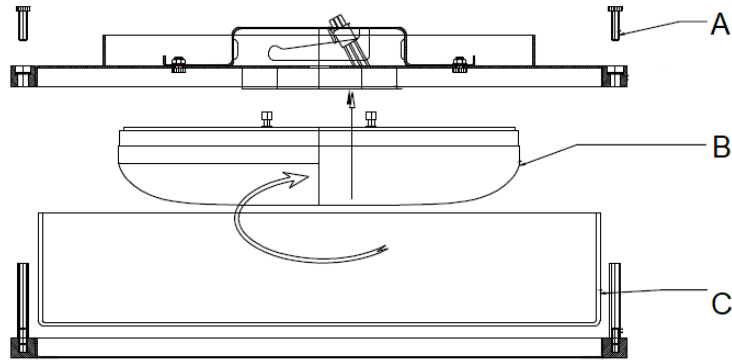


Abb. 6

AUFHÄNGEN DES VENTILATORS

Setzen Sie den kompletten Ventilator in die Halterung ein. Achten Sie darauf, dass der Passtift (B) der Halterung (C) in die Sicherungsnut (A) der Kugelaufhängung greift, um ein Verdrehen des Ventilators im Betrieb zu verhindern. (Abb. 7)

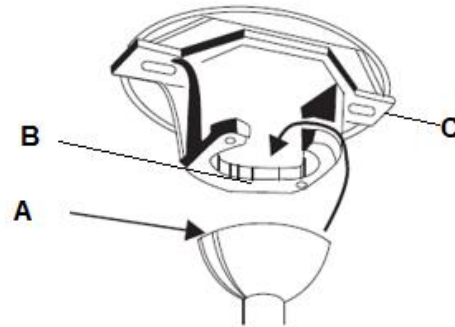


Abb. 7



SCHALTBILD DES VENTILATORS

VORBEREITUNG UND FERTIGSTELLUNG DER ELEKTRISCHEN VERKABELUNG --- VERKABELUNGSDIAGRAMM (Abb.) 8)

WARNUNG: ZUR EIGENEN SICHERHEIT SOLLTEN ALLE ELEKTRISCHEN ANSCHLÜSSE VON EINER LIZENZIERTEN ELEKTROFACHKRAFT HERGESTELLT WERDEN.

HINWEIS: IN DER FESTVERDRAHTUNG SOLLTE EIN ZUSÄTZLICHER TRENN-SCHALTER FÜR ALLE PHASEN VORGESEHEN WERDEN.

HINWEIS: WENN AN EINEM ORT MEHRERE DECKENVENTILATOREN MIT WECHSELSTROMANTRIEB ANGESCHLOSSEN SIND, IST FÜR JEDEN VENTILATOR EIN TRENN-SCHALTER NOTWENDIG. ZUR KOPPELUNG ZWISCHEN FERNBEDIENUNG UND EMPFÄNGER IST DIES NOTWENDIG.

Hinweis: Wenn eine Verlängerung der Deckenstange verwendet wird, ist das Verlängerungskabel des Beleuchtungssatzes (Position 9 in Abb.1) erforderlich.

Von der Netzversorgung zur Klemmleiste an der Montagehalterung: (Abb. 8)

1. Verbinden Sie den Plusleiter der Stromversorgung mit der Klemme „L“ der Lüsterklemme an der Halterung.
2. Verbinden Sie den Nullleiter der Stromversorgung mit der Klemme „N“ der Lüsterklemme an der Halterung.
3. Verbinden Sie den Schutzleiter mit der Klemme der Lüsterklemme an der Halterung.

Von der Montagehalterung zum Empfänger und Motor: (Abb. 8)

4. Schließen Sie die Spannungszuleitung von der Montagehalterung an den Eingang des Gleichstrom-Motors/Empfängers an.
5. Schließen Sie die Ausgangsleitungen des Gleichstrom-Motors/-Empfängers (von der Halterung mit Erdungsleitung) an den Ausgang des Gleichstrom-Motors/-Empfängers an (**Abb. 8**). Schließen Sie die Ausgangsleitungen des Gleichstrom-Motors/-Empfängers mit Erdungsleitung (von der Halterung mit Erdungsleitung) an den Eingang des Ventilatormotors an (**Abb. 8**)
6. Schließen Sie die Ausgangsleitungen des Gleichstrom-Motors/-Empfängers an den Eingangsleitungen des Ventilator-Beleuchtungssatzes an.
 - Stecken Sie den Fernbedienungsempfänger vorsichtig über der Kugelaufhängung in den Zwischenraum zur Halterung. Achten Sie darauf, keines der Kabel zu beschädigen oder zu lösen. (Abb. 8)



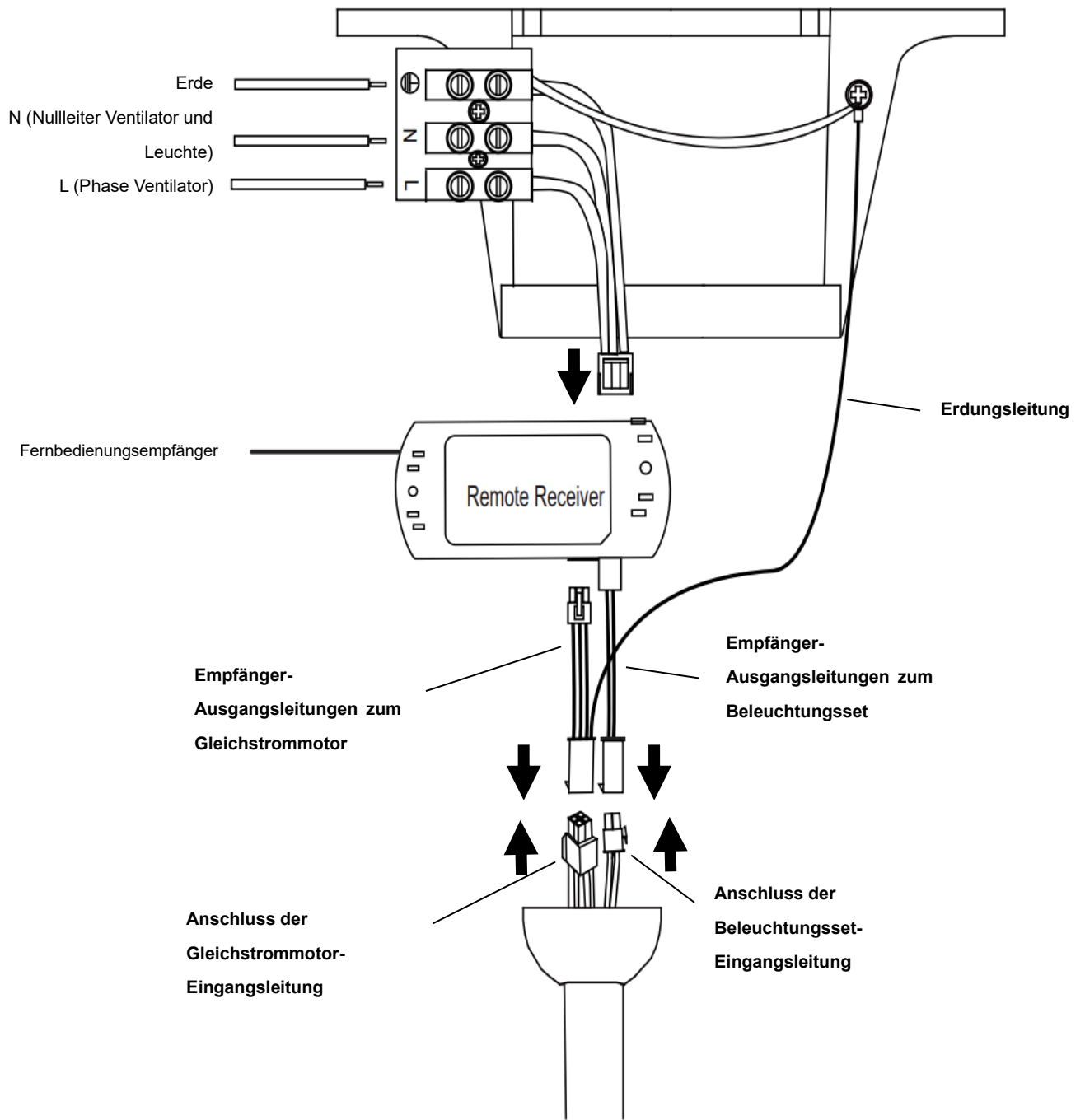
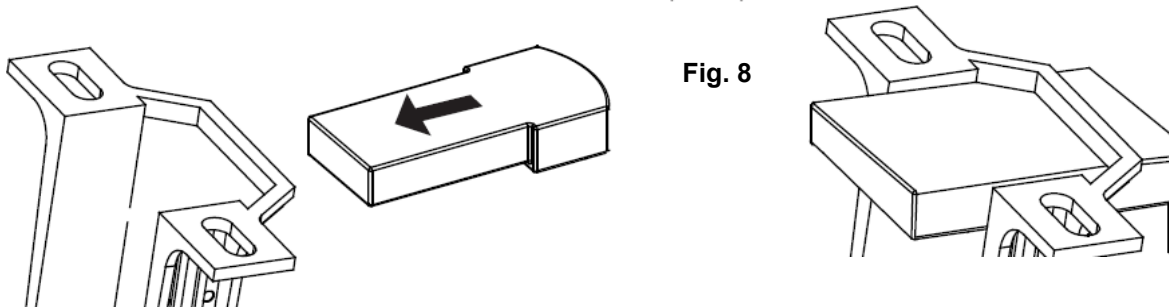


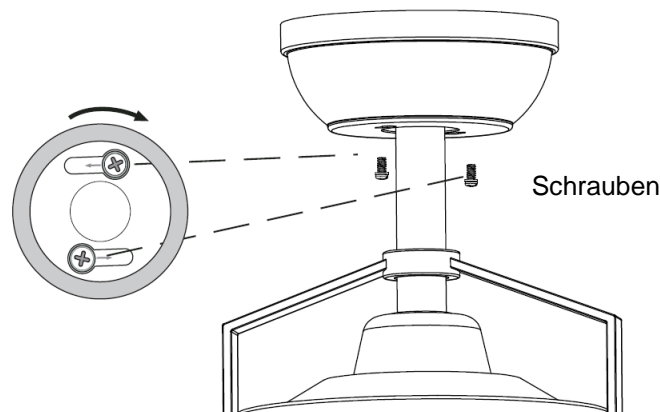
Fig. 8



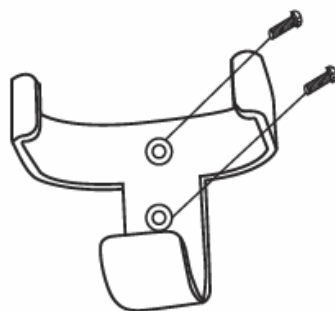
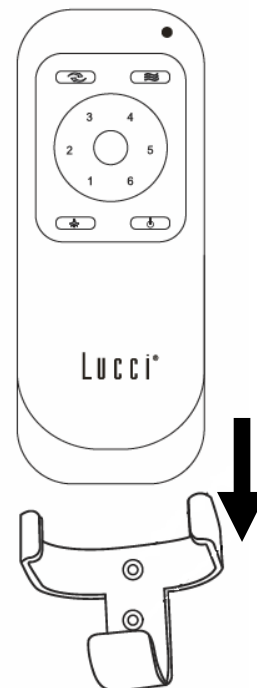
This fan is suitable for indoor and alfresco areas where the fan is fully undercover with a minimum of 2 walls. This fan is not waterproof. When installed in an alfresco area, the ceiling fan must be positioned in a location protected from water, wind, dust and salt. Exposure to these elements will void the warranty. Mounting the fan in a situation where it is subject to water or moisture is dangerous.

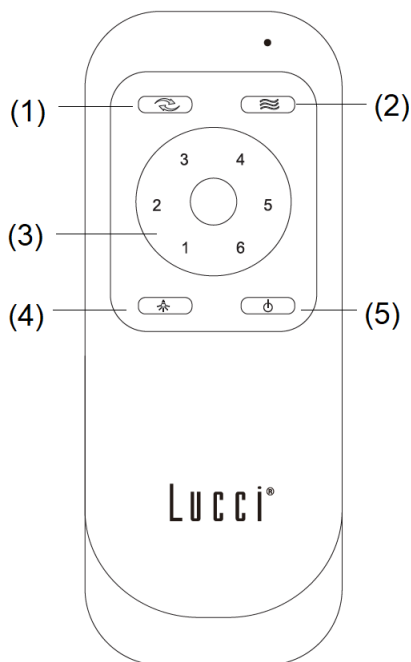
ABSCHLUSS DER INSTALLATION**MONTAGE DER KONSOLE (Abb. 9)**

1. Vergewissern Sie sich, dass die Erdungsleitung korrekt und fest angeschlossen ist. Testen Sie dazu die Erdungsleitung zwischen einem zugänglichen Teil des Metallkörpers am Ventilator und dem Masseanschluss an der Klemmleiste der Montagehalterung auf Durchgang.
2. Lösen Sie die 2 Schrauben unten an der Halterung.
3. Schieben Sie die Konsole hoch bis zur Halterung und lassen Sie die Löcher in der Konsole mit den Schrauben an der Halterung fluchten. Drehen Sie die Konsole, bis sie in den Verjüngungen der Langlöcher einrastet und schrauben Sie zur Sicherung die beiden Schrauben fest. Gehen Sie vorsichtig vor, um die zuvor angeschlossenen Elektrokabel nicht zu beschädigen.

**Abb. 9****MONTAGE DER FERNBEDIENUNGSHALTERUNG (Abb. 10)**

1. Wählen Sie eine geeignete Wand zur Befestigung der Fernbedienhalterung mit den 2 Schrauben aus. (Abb. 10a)
2. Legen Sie die Fernbedienung in die Halterung. (Abb. 10b)

**Abb. 10a****Abb. 10b**

BENUTZUNG DES DECKENVENTILATORS**FERNBEDIENUNG (Abb. 11)**

- (1) Linkslauf
 (2) Natürlicher Wind (der Ventilator schaltet der Reihe nach zwischen den Stufen 1 bis 6 um)
 (3) Geschwindigkeitssteuerung
 (4) Licht ein/aus
 (5) Ventilator ein/aus
 (6) 2x 1,5 V AAA-Batterien (Nicht inbegriffen)

**Abb. 11****STEUERUNG DER LICHTFUNKTION (Abb. 11)**


Die GX53 LED-Lampe verfügt über eine eingebaute 3-stufige Dimmung.

- Schalten Sie die LED-Lampe zunächst mit 100 % Helligkeit ein - drücken Sie einmal die Licht-Taste (4) auf der Fernbedienung.
 - Drücken Sie die Licht-Taste, um innerhalb von 3 Sekunden aus- und dann wieder einzuschalten und die Helligkeit auf 50 % zu dimmen.
 - Drücken Sie die Licht-Taste, um innerhalb von 3 Sekunden aus- und dann wieder einzuschalten und so die Helligkeit auf 15 % zu dimmen.
- (Wenn innerhalb von 3 Sekunden nicht aus- und eingeschaltet wird, stellt die Beleuchtung wieder auf 100 % Helligkeit um.)

KOPPLUNG VON FERNBEDIENUNG UND EMPFÄNGER - BEI 1 DC-DECKENVENTILATOR AN EINEM ORT

HINWEIS: Stellen Sie sicher, dass ein einpoliger Trennschalter in die feste Verkabelung zum Ventilator eingebaut wurde.

HINWEIS: Stellen Sie sicher, dass die Stromversorgung des Empfängers eingeschaltet ist, bevor Sie die Fernbedienung mit dem Empfänger koppeln.

- Schalten Sie die Spannungsversorgung des Ventilators mit dem Wandschalter aus.
- Legen Sie die Batterien in die Fernbedienung ein. Achten Sie auf die richtige Polarität der Batterien.
- Schalten Sie den Empfänger ein.
- Schalten Sie den Empfänger am Ventilator ein und halten Sie innerhalb von 30 Sekunden nach dem Einschalten die Taste „“ auf der Fernbedienung 10 Sekunden lang gedrückt.



- Mit einem Signalton meldet der Empfänger anschließend die erfolgreiche Kopplung.
- Schalten Sie den Deckenventilator über die Fernbedienung ein und probieren Sie mehrere Geschwindigkeiten aus, um den Betrieb und die korrekte Kopplung zu testen.


KOPPLUNG VON FERNBEDIENUNG UND EMPFÄNGER - BEI 2 ODER MEHR DC-VENTILATOREN AN EINEM ORT

Wenn zwei oder mehr Deckenventilatoren in nächster Nähe betrieben werden, möchten Sie vielleicht jedes Sender- und Empfängerpaar separat koppeln, damit die Ventilatoren unabhängig voneinander bedient werden können.


HINWEIS: Stellen Sie sicher, dass ein einpoliger Trennschalter in die feste Verkabelung zu jedem Ventilator eingebaut wurde.

HINWEIS: Stellen Sie sicher, dass der Empfänger **eingeschaltet** ist, bevor Sie die Fernbedienung mit dem Empfänger koppeln.

Koppelung von Fernbedienung und Empfänger des Deckenventilators 1:

- Schalten Sie die Empfänger beider Deckenventilatoren 1 und 2 aus.
- Legen Sie die Batterien in die Fernbedienung ein. Achten Sie auf die richtige Polarität der Batterien.
- Schalten Sie Empfänger 1 ein. Lassen Sie Empfänger 2 ausgeschaltet. (Jeder Deckenventilator muss über einen eigenen Trennschalter verfügen, sodass nur der Deckenventilator eingeschaltet ist, der mit dem Sender gekoppelt werden soll.)
- Halten Sie innerhalb von 30 Sekunden nach dem Einschalten des Empfängers von Ventilator 1 an **Sender 1** die Taste „“ 10 Sekunden lang gedrückt.
- Mit einem Signalton meldet der Empfänger anschließend die erfolgreiche Kopplung.
- Schalten Sie Deckenventilator 1 über die Fernsteuerung ein und ändern Sie die Drehzahl, um seine korrekte Funktion und die erfolgreiche Kopplung zu testen.

Koppelung von Fernbedienung/Empfänger des Deckenventilators 2:

- Schalten Sie die Empfänger beider Deckenventilatoren 1 und 2 aus.
- Legen Sie die Batterien in die Fernbedienung ein. Achten Sie auf die richtige Polarität der Batterien.
- Schalten Sie Empfänger 2 ein. Lassen Sie Empfänger 1 ausgeschaltet. (Jeder Deckenventilator muss über einen eigenen Trennschalter verfügen, sodass nur der Deckenventilator eingeschaltet ist, der mit dem Sender gekoppelt werden soll.)
- Halten Sie innerhalb von 30 Sekunden nach dem Einschalten des Empfängers von Ventilator 2 am **Sender 2** die Taste „“ 10 Sekunden lang gedrückt.
- Mit einem Signalton meldet der Empfänger anschließend die erfolgreiche Kopplung.
- Schalten Sie Deckenventilator 2 über die Fernbedienung ein und ändern Sie die Drehzahl, um seine korrekte Funktion und die erfolgreiche Kopplung zu testen.



KOPPLUNG ZWISCHEN EMPFÄNGER UND SENDER WIEDERHERSTELLEN

Falls nach der Installation oder während des Gebrauchs die Ansteuerung zwischen Fernbedienung und Empfänger verloren geht, müssen beide Komponenten wieder gekoppelt werden. Die folgenden Hinweise beschreiben Störungen während des Betriebs und Abhilfemaßnahmen, mit denen die Kopplung zwischen Empfänger und Sender wieder hergestellt werden kann.

Probleme:

- Ansteuerungsproblem – Ventilator läuft nach der Installation nur mit hoher Geschwindigkeit
- Ansteuerungsproblem – Kein Linkslauf nach der Installation
- Ansteuerungsproblem – Fernbedienung kommuniziert mit dem Empfänger nicht

Lösung:

- Deckenventilator ausschalten.
- Deckenventilator einschalten. Gehen Sie vor wie im Abschnitt „Kopplung von Fernbedienung und Empfänger“ beschrieben, um die Kopplung wieder herzustellen.
- Schalten Sie das Gerät ein und stellen Sie eine andere Drehzahl ein, um die Funktion des Ventilators zu überprüfen.

NACH DER INSTALLATION

HINWEIS: Deckenventilatoren neigen dazu, während des Betriebs unruhig zu laufen, da sie auf einer Gummidichtung montiert sind. Wenn der Ventilator fest an der Decke montiert wäre, würden übermäßige Vibrationen entstehen. Eine Pendelbewegung von wenigen Zentimetern ist akzeptabel und weist NICHT auf ein Problem hin.

VENTILATORUNWUCHT VERRINGERN: Prüfen Sie, ob alle Befestigungsschrauben an der Halterung und Deckenstange fest angezogen sind.

AUSGLEICHSGWICHTE: Im Lieferumfang enthalten ist ein Gewichteset zum Auswuchten des Deckenventilators bei der Erstmontage. Beachten Sie die Anweisungen zur Benutzung der Gewichte. Sollte der Deckenventilator über das normale Maß hinaus unruhig laufen, kann er mithilfe der Gewichte erneut ausgewuchtet werden. Bewahren Sie die Gewichte nach der Montage für spätere Zwecke gut auf.

GERÄUSCHE:

In einer ruhigen Umgebung (insbesondere nachts) hören Sie gelegentlich vielleicht leise Geräusche. Leichte Stromschwankungen und Frequenzsignale, die zwecks Warmwasserregulierung außerhalb der Hauptlastzeiten auf das Leitungsnetz übersprechen, können sich auf die Geräusentwicklung des Ventilatormotors auswirken. Dies ist normal. Bitte haben Sie Geduld. Nach einer „Einlaufzeit“ von 24 Stunden, verschwinden die meisten durch einen neuen Ventilator erzeugten Geräusche.

Die Herstellergarantie deckt reale Mängel ab, die auftreten können, jedoch KEINE geringfügigen Beanstandungen, wie zum Beispiel ein hörbar laufender Motor – alle Elektromotoren geben gewisse Geräusche ab.

PFLEGE UND REINIGUNG

HINWEIS: Schalten Sie vor Reinigungs- und Pflegearbeiten am Ventilator immer die Stromversorgung am Hauptschalter aus.

- Die regelmäßige halbjährliche Reinigung Ihres Deckenventilators ist die einzige Wartung, die erforderlich ist.



Benutzen Sie eine weiche Bürste oder ein fusselfreies Tuch, um zu verhindern, dass die Lackierung zerkratzt wird. Bitte schalten Sie die Stromversorgung aus, wenn Sie das Gerät reinigen.

- Tauchen Sie den Deckenventilator NICHT in Wasser oder andere Flüssigkeiten ein. Dadurch könnten der Motor oder die Rotorblätter beschädigt und möglicherweise ein Stromschlag verursacht werden.
- Achten Sie darauf, dass der Ventilator nicht mit organischen Lösungsmitteln oder Reinigungsmitteln in Berührung kommt.
- Wischen Sie die Rotorblätter nur mit einem feuchten Tuch OHNE organische Lösungsmittel oder Reinigungsmittel sauber.
- Der Motor ist mit einem dauergeschmierten Kugellager versehen. Er muss also nicht geschmiert werden.

SICHERHEITSVORKEHRUNGEN FÜR BATTERIEN

- **WARNUNG** – Halten Sie neue und gebrauchte Batterien von Kindern fern.
- **VORSICHT** - Batterie nicht verschlucken – Verätzungsgefahr.
- Verwenden Sie mit dieser Deckenventilator-Fernbedienung immer 2x AAA-Batterien.
- Achten Sie darauf, dass die Batterien mit der richtigen Polarität eingelegt sind.
- Um Fehler beim Einsetzen oder Auswechseln der Batterien zu vermeiden, muss der Deckenventilator von der Spannungsversorgung getrennt werden.
- Entfernen Sie die Batterien aus dem Gerät, wenn Sie es über einen längeren Zeitraum nicht benutzen.
- Die Batterien müssen aus der Fernbedienung entfernt werden, bevor sie entsorgt wird.
- Entsorgen Sie verbrauchte Batterien sofort und sicher (sodass sie von Kindern nicht gefunden werden können). Leere Batterien können weiterhin gefährlich sein. Wenden Sie sich an Ihre örtliche Gemeindeverwaltung, um die Batterie sicher zu entsorgen.
- Überprüfen Sie das Produkt regelmäßig und vergewissern Sie sich, dass der Deckel des Batteriefachs richtig befestigt ist. Wenn sich das Batteriefach nicht korrekt schließen lässt, stellen Sie den Gebrauch des Gerätes ein und halten Sie es von Kindern fern.
- Wenn Sie glauben, dass Batterien verschluckt wurden oder in einen Teil des Körpers eingeführt wurden, suchen Sie sofort einen Arzt auf.

TECHNISCHE DATEN

Ventilator	62 Zoll Ventilator - Louisville
Ventilatormodelle / Artikelnummer	LD-62" LOU / SKU# 213175, 213176
Nennspannung	220 - 240 VAC, 50 Hz
Nennleistung (Motor)	42 W
Lichtquelle	Dieses Produkt enthält ein Leuchtmittel der Energieeffizienzklasse E.
Nennleistung (Lampe)	SKU# 121357: GX53,18W, 3000K, 3-stufig dimmbar (im Lieferumfang enthalten) Auch kompatibel mit SKU# 121358: GX53,18W, 4000K, 3-stufig dimmbar (nicht enthalten)
Batterien für Fernbedienung	2 AAA-Batterien (Nicht inbegriffen)
Gewicht	8
Maße der Konsole	H: 58 mm Durchmesser: 150 mm

GARANTIEINFORMATIONEN

IN AUSTRALIEN / NEUSEELAND - Bitte beachten Sie die gesonderte GARANTIEERKLÄRUNG.

IN EUROPA – Wenn Sie ein europäischer Kunde sind, wenden Sie sich bitte an das Geschäft, in dem der Ventilator gekauft wurde, um Garantieleistungen in Anspruch zu nehmen.



This fan is suitable for indoor and alfresco areas where the fan is fully undercover with a minimum of 2 walls. This fan is not waterproof. When installed in an alfresco area, the ceiling fan must be positioned in a location protected from water, wind, dust and salt. Exposure to these elements will void the warranty. Mounting the fan in a situation where it is subject to water or moisture is dangerous.

F

MERCİ POUR VOTRE ACHAT

Nous vous remercions d'avoir acheté le dernier des ventilateurs de plafond à économie d'énergie. Ce ventilateur fonctionne sur une alimentation CC (courant continu), ce qui lui donne l'avantage d'être très économe en énergie tout en maintenant un mouvement d'air à volume élevé et un fonctionnement silencieux.

Économie d'énergie - Le moteur à courant continu est la toute dernière technologie en matière de conception de ventilateurs. Son moteur très efficace permet d'économiser jusqu'à plus de 65% d'énergie par rapport aux ventilateurs de plafond équipés de moteurs à courant alternatif classiques.

Fonctionnement silencieux – Ce moteur de ventilateur à courant continu est programmé avec un courant stabilisé qui réduit efficacement le bruit du moteur.


Faible température de fonctionnement - L'alimentation en courant continu est gérée efficacement, ce qui permet de réduire la température de fonctionnement du moteur à moins de 50°C. Il en résulte un moteur bien plus froid que celui d'un ventilateur classique alimenté en courant alternatif. Cela augmente la durée de vie du moteur.

Télécommande à 6 vitesses - Les ventilateurs de plafond à courant alternatif ne comportent généralement que 3 vitesses. Ce ventilateur à courant continu est fourni avec une télécommande à 6 vitesses, ce qui offre un plus grand choix de niveaux de confort.

CONSIGNES DE SÉCURITÉ

1. En Europe : Cet appareil peut être utilisé par des enfants âgés de plus de 8 ans et des personnes ayant des capacités physiques, sensorielles et mentales réduites ou un manque d'expérience et de connaissances sauf si elles sont surveillées ou si elles ont reçu des instructions concernant l'utilisation de l'appareil en toute sécurité et si elles comprennent les dangers encourus. Le nettoyage et l'entretien ne doivent pas être effectués par des enfants sans surveillance.
2. En Australie : Cet appareil ne peut pas être utilisé par des personnes (y compris des enfants) ayant des capacités physiques, sensorielles et mentales réduites ou un manque d'expérience et de connaissances, sauf si elles sont surveillées ou si elles ont reçu des instructions concernant l'utilisation de l'appareil par une personne responsable de leur sécurité.
3. Il convient de surveiller les enfants pour s'assurer qu'ils ne jouent pas avec l'appareil.
4. Un commutateur de déconnexion multipolaire doit être intégré dans le câblage fixe, conformément aux règles de câblage locales.



5.  Ne jetez pas les appareils électriques avec les déchets municipaux non triés, utilisez des points de collecte séparés. Contactez les autorités locales pour obtenir des informations sur les systèmes de collecte disponibles. Si les appareils électriques sont éliminés dans des décharges ou des dépotoirs, des substances dangereuses peuvent s'infiltrer dans la nappe phréatique et entrer dans la chaîne alimentaire, ce qui nuit à votre santé et à votre bien-être.
6. La structure sur laquelle le ventilateur est fixé doit être capable de supporter un poids de 28 kg.



7. Le ventilateur doit être fixé de sorte que les pales soient à au moins 2,3 m au-dessus du sol en Europe ou 2,1 m au-dessus du sol en Australie.
8. Ce ventilateur convient pour une utilisation en intérieur et en plein air, à condition d'être dans un emplacement entièrement couvert avec 2 murs minimum. Ce ventilateur n'est pas étanche. Lorsqu'il est installé en plein air, le ventilateur de plafond doit être placé dans un endroit protégé de l'eau, du vent, de la poussière et du sel. L'exposition aux éléments susmentionnés entraîne l'annulation de la garantie. Le montage du ventilateur dans une situation où il est soumis à l'eau ou à l'humidité est dangereux et peut augmenter le risque de dommages, de blessures ou d'électrocution.
9. Ce produit doit être assemblé et installé par un électricien agréé.
10. AVERTISSEMENT : Si vous observez des tremblements ou des oscillations inhabituels, arrêtez immédiatement d'utiliser le ventilateur de plafond et contactez le fabricant, son agent de maintenance ou une personne dûment qualifiée.
11. Le remplacement des pièces du dispositif de suspension de sécurité doit être effectué par le fabricant, son agent de maintenance ou des personnes dûment qualifiées.
12. Les moyens de fixation du ventilateur au plafond, tels que les crochets ou autres dispositifs, doivent être fixés avec une résistance suffisante pour supporter 4 fois le poids du ventilateur de plafond ; le montage du système de suspension doit être effectué par le fabricant, son agent d'entretien ou des personnes dûment qualifiées.



LISTE DES PIÈCES

- Déballez soigneusement votre ventilateur de plafond. Retirez toutes les pièces et le matériel.
- Disposez tous les éléments sur une surface lisse et assurez-vous qu'aucun élément ne manque avant de procéder à l'assemblage. Si des pièces manquent, retournez le produit complet au lieu d'achat afin qu'il soit inspecté ou remplacé.
- Vérifiez si le ventilateur de plafond a été endommagé pendant le transport. N'utilisez/n'installez pas un produit présentant des dommages de quelque nature que ce soit. Ramenez le produit dans son intégralité au point de vente afin qu'il soit inspecté, réparé ou remplacé.
- Examinez toutes les pièces, vous devez avoir les éléments suivants :

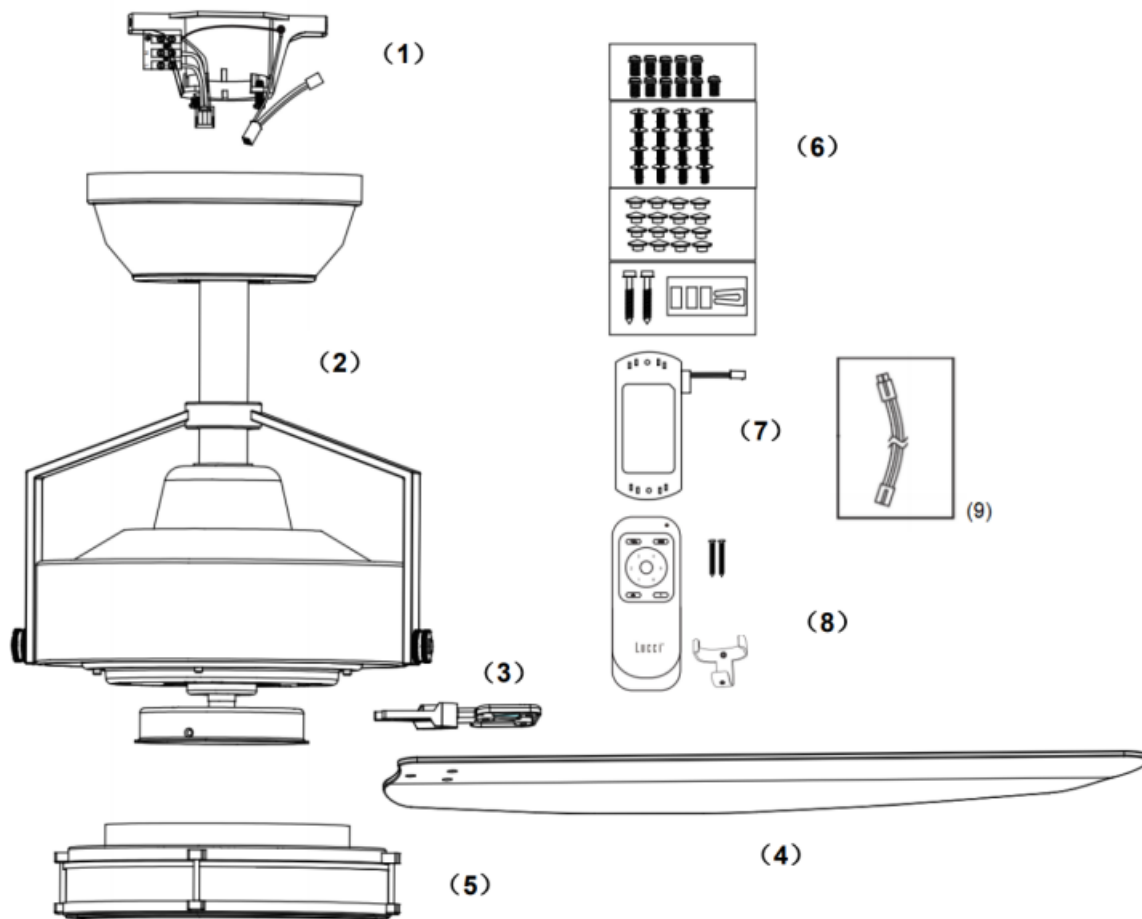


Fig. 1

1	Support de montage x 1	7	Récepteur de la télécommande x 1
2	Ventilateur x 1	8	Télécommande, support x 1 set
3	Support des pales x 5	9	Rallonge du kit d'éclairage x 1
4	Pales de ventilateur x 5		
5	Kit d'éclairage (l'ampoule GX53 18 W est pré-installée dans le kit d'éclairage) x 1		
6	Vis de montage, vis de pales de ventilateur et kit d'équilibrage x 1 set		



INSTALLATION DU VENTILATEUR

OUTILS REQUIS :

- Tournevis cruciforme/à tête plate
- Pinces
- Clé à molette
- Escabeau
- Coupe-fil
- Câblage, câble d'alimentation selon les codes et règlements de câblage locaux, provinciaux et nationaux.

INSTALLATION DU SUPPORT DE MONTAGE

- Le ventilateur de plafond doit être installé dans un endroit où les pales seront éloignées d'au moins 300 mm de tout objet ou mur.
- Installez le support de suspension sur une solive ou une structure capable de supporter une charge d'au moins 36 kg avec les deux vis longues fournies. Veillez à ce qu'au moins 30 mm des vis soient vissés dans le support. (Fig. 2)

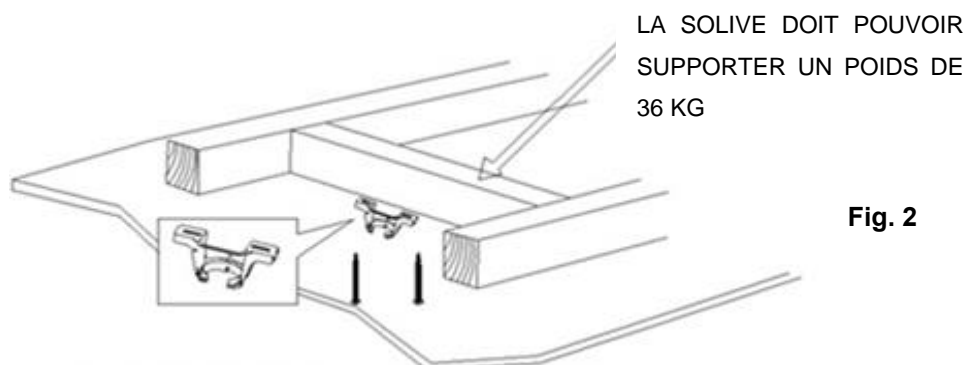


Fig. 2

REMARQUE : CETTE ILLUSTRATION N'EST FOURNIE QU'À TITRE INDICATIF ET NE REPRÉSENTE PAS LE SUPPORT RÉEL

REMARQUE : Les vis de support fournies conviennent uniquement pour les structures en bois. Pour les structures autres que du bois, un type de vis approprié doit **IMPÉRATIVEMENT** être utilisé. Veillez à ce que les vis utilisées soient adaptées à la surface de montage et à l'environnement.

INSTALLATION SUR PLAFOND INCLINÉ

Ce système de suspension de ventilateur permet une installation sur plafond incliné de 7° de pente au maximum. (Fig. 3)

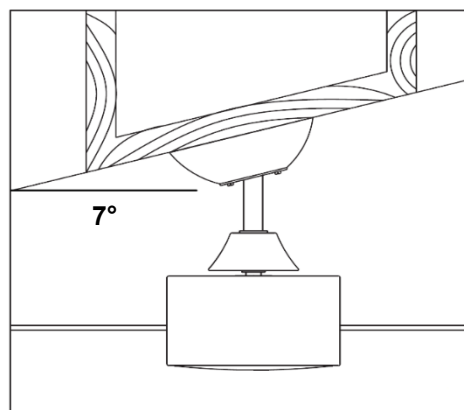


Fig. 3



INSTALLATION DE LA PALE (Fig. 4)

1. Fixez la pale au support en serrant les 3 vis aux écrous.
2. Fixez le support au ventilateur en serrant les 2 vis.
 Veuillez à serrer toutes les vis uniformément afin de réduire le risque de déséquilibre et de déformation.
 Veuillez à ne pas trop serrer les vis, car cela pourrait endommager les pales.
3. Répétez ces mêmes étapes pour les autres pales.

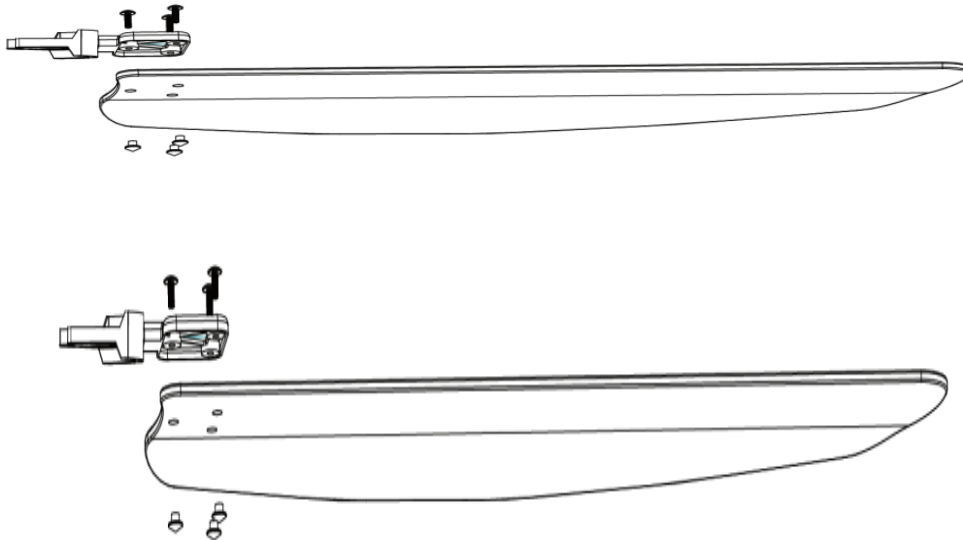


Fig. 4

INSTALLATION DU KIT D'ÉCLAIRAGE (Fig. 5)

- **REMARQUE :** Le kit d'éclairage doit être installé par un électricien agréé.
- Branchez les fils du kit d'éclairage au ventilateur via le connecteur rapide.
- Installez le kit d'éclairage au ventilateur, puis fixez-le en le tournant dans le sens des aiguilles d'une montre.

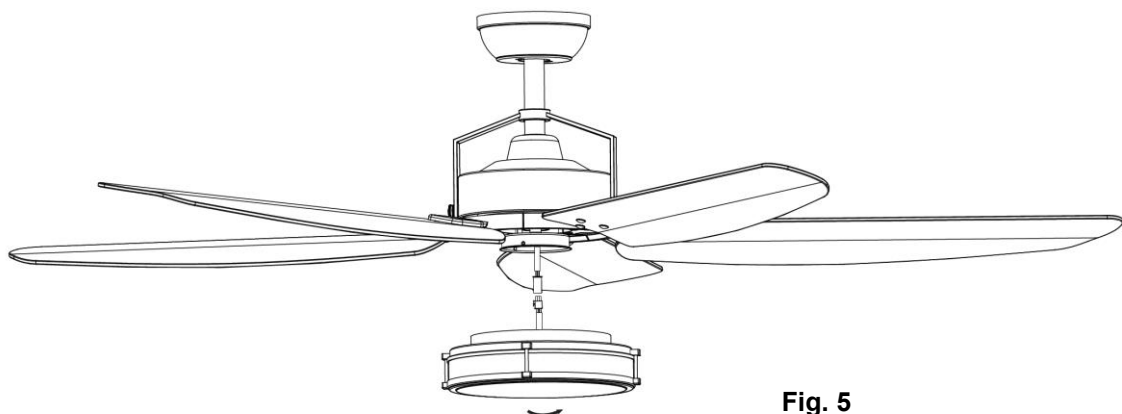


Fig. 5



INSTALLATION DE L'AMPOULE (Fig. 6)

- **REMARQUE :** L'ampoule GX53 est pré-installée dans le kit d'éclairage. Si vous avez besoin de changer cette ampoule, procédez de la manière suivante.
- Retirez l'abat-jour (C) en desserrant les 3 vis (A).
- Remplacez l'ampoule GX53 (B) par une neuve. Ne dépassez pas la puissance nominale maximale.
- Remettez en place l'abat-jour (C) en resserrant les 3 vis (A).

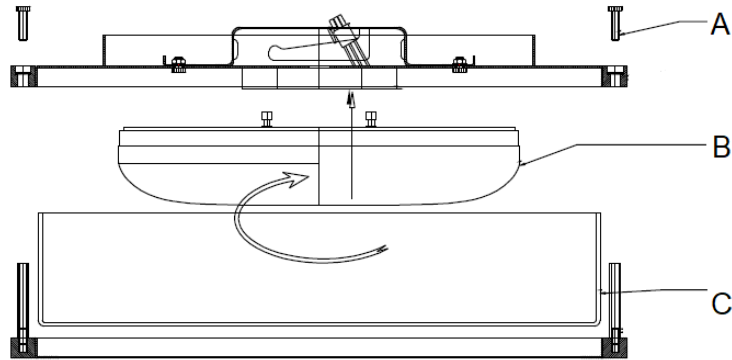


Fig. 6

SUSPENSION DU VENTILATEUR

Soulevez le ventilateur pour le placer sur le support de montage. Assurez-vous que l'encoche (A) de la rotule de la suspension est positionnée sur la goupille (B) du support de montage (C) pour empêcher le ventilateur de tourner lorsqu'il fonctionne. (Fig. 7)

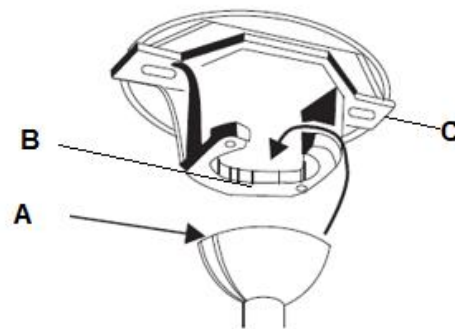


Fig. 7



SCHÉMA DE CÂBLAGE ÉLECTRIQUE DU VENTILATEUR**PRÉPARATION ET INSTALLATION DU CÂBLAGE ÉLECTRIQUE -- SCHÉMA DE CÂBLAGE (Schéma 8)**

AVERTISSEMENT : POUR VOTRE SÉCURITÉ, TOUS LES RACCORDEMENTS ÉLECTRIQUES DOIVENT ÊTRE EFFECTUÉS PAR UN ÉLECTRICIEN AGRÉÉ.

REMARQUE : UN COMMUTATEUR DE DÉCONNEXION MULTIPOLAIRE SUPPLÉMENTAIRE DOIT ÊTRE INCLUS DANS LE CÂBLAGE FIXE.

REMARQUE : SI DEUX OU PLUSIEURS VENTILATEURS DE PLAFOND À COURANT CONTINU SONT INSTALLÉS DANS LE MÊME LIEU, UN COMMUTATEUR D'ISOLATION EST NÉCESSAIRE POUR CHAQUE VENTILATEUR DE PLAFOND. CECI EST REQUIS LORS DE LA PROGRAMMATION DE LA TÉLÉCOMMANDE ET DU RÉCEPTEUR EN VUE DE LEUR APPARIEMENT.

Remarque : Si une tige de rallonge est utilisée, le câble de rallonge du kit d'éclairage (pièce 9 sur le schéma 1) est nécessaire.

De l'alimentation secteur au bornier du support de montage : (Schéma 8)

1. Connectez le fil d'alimentation sous tension à la borne « L » du bornier du support de montage.
2. Connectez le fil d'alimentation neutre à la borne « N » du bornier du support de montage.
3. Connectez le fil de terre à la borne de terre du bornier sur le support de montage.

Du support de montage au récepteur de la télécommande et au moteur : (Schéma 8)

4. Branchez le fil d'alimentation du support de montage à l'entrée du récepteur du moteur CC.
 5. Raccordez les fils de sortie du récepteur du moteur CC (depuis le support de montage avec fil de terre) à la sortie du récepteur du moteur CC (**schéma 8**). Raccordez les fils de sortie du récepteur du moteur CC avec fil de terre (depuis le support de montage avec fil de terre) à l'entrée du moteur du ventilateur (**schéma 8**).
 6. Connectez les fils de sortie du récepteur du moteur CC aux fils d'entrée du kit d'éclairage.
- Insérez avec précaution le récepteur de la télécommande au-dessus de la boule de suspension dans l'espace restant du support de montage. Faites attention à ne pas desserrer ou endommager les différents branchements. (Fig. 8).



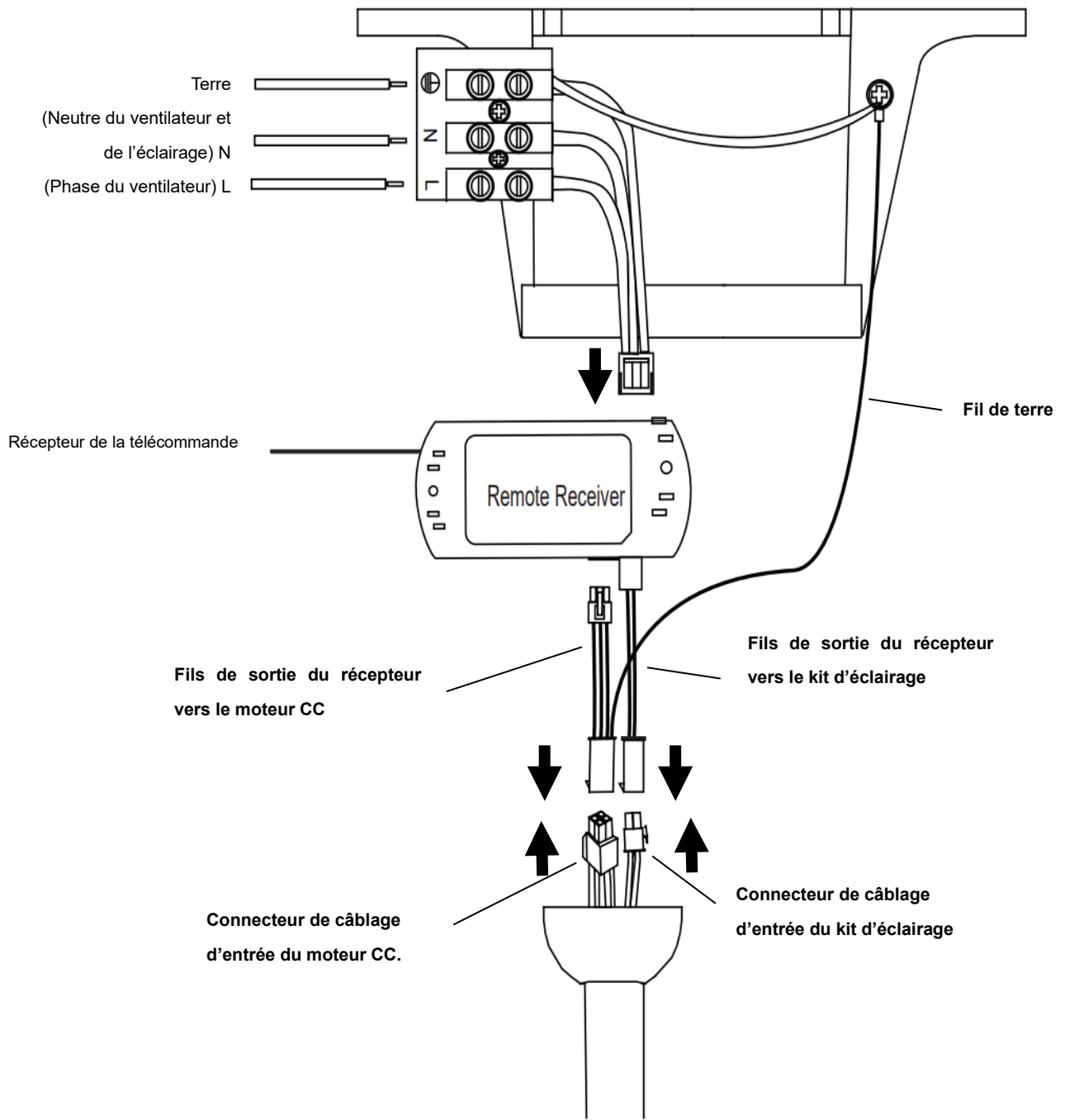
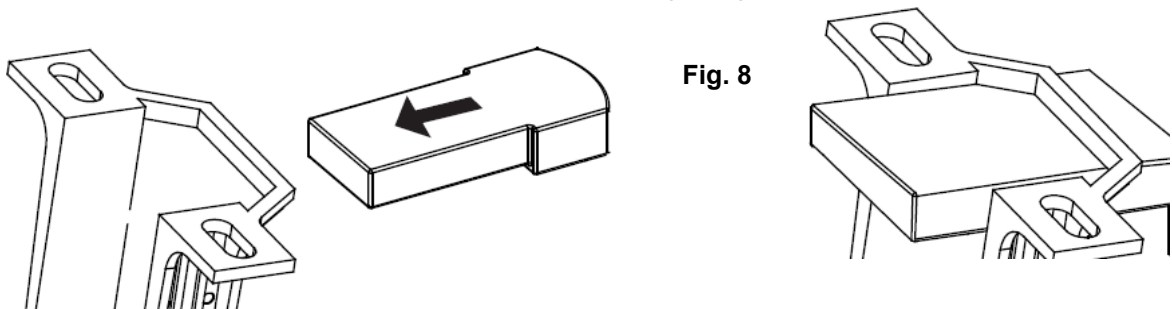


Fig. 8



This fan is suitable for indoor and alfresco areas where the fan is fully undercover with a minimum of 2 walls. This fan is not waterproof. When installed in an alfresco area, the ceiling fan must be positioned in a location protected from water, wind, dust and salt. Exposure to these elements will void the warranty. Mounting the fan in a situation where it is subject to water or moisture is dangerous.

FINALISATION DE L'INSTALLATION**INSTALLATION DU CACHE (Fig. 9)**

1. Assurez-vous que le câblage à la terre est sécurisé et bien fait, en effectuant un test de continuité de mise à la terre du corps en métal accessible du ventilateur à la borne de la terre du bornier sur le support de montage.
2. Desserrez les 2 vis situées sur la partie inférieure du support de montage.
3. Faites passer le cache sur le support de montage et alignez les encoches du cache avec les vis sur le support de montage. Tournez le cache de fixation jusqu'à ce qu'il se verrouille en place à la section d'extrémité de l'encoche en forme de L et fixez-le en serrant les deux vis. Évitez d'endommager le câblage électrique préparé précédemment.

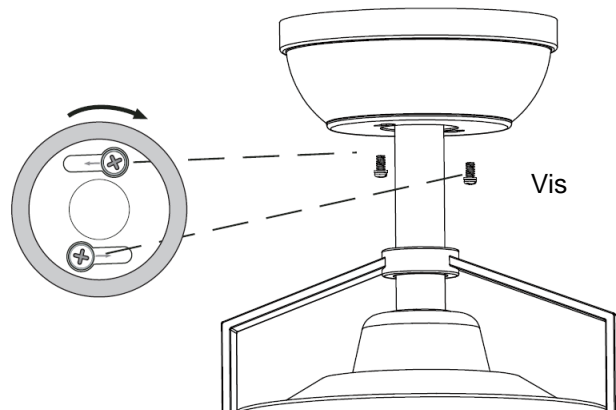


Fig. 9

INSTALLATION DU SUPPORT DE LA TÉLÉCOMMANDE (Fig. 10)

1. Repérez un mur adéquat pour fixer le support de la télécommande avec les 2 vis. (Fig. 10a).
2. Glissez la télécommande dans le support. (Fig. 10b)

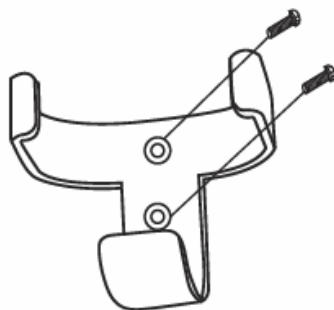
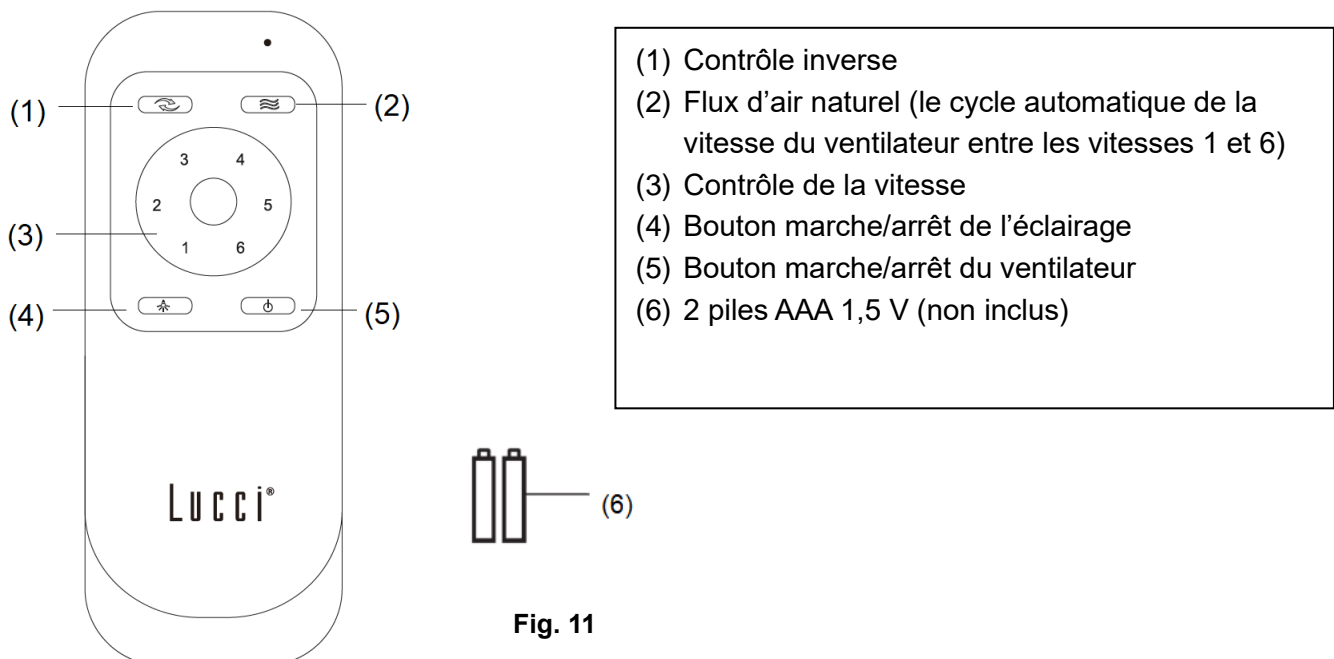


Fig. 10a



Fig. 10b



UTILISATION DE VOTRE VENTILATEUR DE PLAFOND**TÉLÉCOMMANDE (Fig. 11)****Fig. 11****COMMANDE DE LA FONCTION D'ÉCLAIRAGE (Fig. 11)**

La lampe LED GX53 dispose d'un circuit de variation de lumière intégré de 3 niveaux.

- La lampe LED s'allume au départ avec une luminosité de 100%. Appuyez sur le bouton de l'éclairage (4) une fois sur la télécommande.
 - Appuyez sur le bouton de l'éclairage pour l'éteindre, puis rallumez-le dans les 3 secondes pour obtenir une luminosité de 50%.
 - Appuyez sur le bouton de l'éclairage pour l'éteindre, puis rallumez-le dans les 3 secondes pour obtenir une luminosité de 15%.
- (Si la mise en marche/l'arrêt ne sont pas effectuées dans les 3 secondes, la luminosité de la lampe reviendra à un niveau de 100%.)


APPARIEMENT DE LA TÉLÉCOMMANDE ET DU RÉCEPTEUR - LORSQU'UN VENTILATEUR DE PLAFOND À COURANT CONTINU EST INSTALLÉ À UN ENDROIT

REMARQUE : Assurez-vous d'avoir installé un commutateur de déconnexion unipolaire dans le câblage fixe du ventilateur.

REMARQUE : Assurez-vous que le récepteur est sous tension avant d'apparier la télécommande avec le récepteur.

- Coupez l'alimentation électrique du ventilateur à l'aide de l'interrupteur mural marche/arrêt.
- Installez les piles dans la télécommande. Assurez-vous que le sens de polarité des piles est correct.
- Mettez le récepteur sous tension.



- Maintenez le bouton «  » de la télécommande enfoncé pendant 10 secondes dans les 30 secondes qui suivent la mise sous tension du récepteur du ventilateur de plafond.
- Vous entendez un « bip » de notification du récepteur pour indiquer que le processus d'appariement est réussi.
- Allumez et modifiez la vitesse du ventilateur de plafond à l'aide de la télécommande pour vérifier le fonctionnement et la réussite du processus d'appariement.


APPARIEMENT DE LA TÉLÉCOMMANDE ET DU RÉCEPTEUR - LORSQUE 2 OU PLUSIEURS VENTILATEURS DE PLAFOND À COURANT CONTINU SONT INSTALLÉS AU MÊME ENDROIT

Lorsque deux ou plusieurs ventilateurs sont situés à proximité l'un de l'autre, il pourrait être souhaitable que la télécommande/le récepteur de chaque ventilateur soit réglé sur un code différent, afin que le fonctionnement d'un ventilateur n'affecte pas celui des autres.


REMARQUE : Assurez-vous d'avoir installé un commutateur de déconnexion unipolaire dans le câblage fixe de chaque ventilateur.

REMARQUE : Assurez-vous que le récepteur est **sous tension** avant d'appairer la télécommande avec le récepteur.

Appariement télécommande/récepteur pour le ventilateur de plafond 1 :

- Coupez l'alimentation électrique des récepteurs des deux ventilateurs de plafond 1 et 2.
- Installez les piles dans la télécommande. Assurez-vous que le sens de polarité des piles est correct.
- Mettez le récepteur 1 sous tension. Maintenez le récepteur 2 hors tension. (Chaque ventilateur de plafond doit avoir son propre commutateur d'isolation, de sorte que seul le ventilateur de plafond qui doit être apparié avec la télécommande soit sous tension).
- Maintenez le bouton «  » de l'**émetteur 1** enfoncé pendant 10 secondes dans les 30 secondes qui suivent la mise sous tension du récepteur du ventilateur de plafond 1.
- Vous entendez un « bip » de notification du récepteur pour indiquer que le processus d'appariement est réussi.
- Allumez le ventilateur de plafond 1 et changez sa vitesse à l'aide de l'émetteur pour contrôler le fonctionnement et le bon appariement.

Appariement télécommande/récepteur pour le ventilateur de plafond 2 :

- Coupez l'alimentation électrique des récepteurs des deux ventilateurs de plafond 1 et 2.
- Installez les piles dans la télécommande. Assurez-vous que le sens de polarité des piles est correct.
- Mettez le récepteur 2 sous tension. Maintenez le récepteur 1 hors tension. (Chaque ventilateur de plafond doit avoir son propre commutateur d'isolation, de sorte que seul le ventilateur de plafond qui doit être apparié avec la télécommande soit sous tension).
- Maintenez le bouton «  » de l'**émetteur 2** enfoncé pendant 10 secondes dans les 30 secondes qui suivent la mise sous tension du récepteur du ventilateur de plafond 2.



- Vous entendez un « bip » de notification du récepteur pour indiquer que le processus d'appariement est réussi.
- Allumez et modifiez la vitesse du ventilateur de plafond 2 à l'aide de la télécommande pour vérifier le fonctionnement et la réussite du processus d'appariement.

RÉPARATION DE L'APPARIEMENT DU RÉCEPTEUR ET DE LA TÉLÉCOMMANDE DU VENTILATEUR

Si la télécommande et le récepteur perdent le contact après l'installation ou pendant l'utilisation, l'appariement de la télécommande et du récepteur doit être rétabli. Vous trouverez ci-dessous les symptômes des problèmes de fonctionnement et la méthode de rétablissement de l'appariement de la télécommande et du récepteur du ventilateur de plafond CC.

Problèmes :

- Perte de contrôle - Le ventilateur ne fonctionne qu'à vitesse élevée après l'installation
- Perte de contrôle - Pas de fonctionnement inverse après l'installation
- Perte de contrôle - La télécommande ne peut pas communiquer avec le récepteur

Solution :

- Coupez l'alimentation principale du ventilateur de plafond.
- Allumez l'alimentation principale du ventilateur de plafond. Suivez le même processus que celui décrit dans le paragraphe « Appariement de la télécommande et du récepteur » pour réparer le ventilateur.
- Allumez le ventilateur de plafond et sélectionnez différentes vitesses pour vérifier le fonctionnement du ventilateur.

APRÈS L'INSTALLATION

REMARQUE : Les ventilateurs de plafond ont tendance à bouger quand ils fonctionnent du fait qu'ils sont montés sur un œillet en caoutchouc. Si le ventilateur était monté de façon rigide au plafond, cela causerait des vibrations excessives. Un mouvement de quelques centimètres est acceptable et N'INDIQUE PAS UN PROBLÈME.

POUR RÉDUIRE LES TREMBLEMENTS DU VENTILATEUR : Veuillez vérifier que toutes les vis qui fixent le support de fixation et la tige de suspension sont bien serrées.

KIT D'ÉQUILIBRAGE : Un kit d'équilibrage est fourni pour équilibrer le ventilateur de plafond lors de l'installation initiale. Veuillez vous référer aux instructions d'utilisation du kit d'équilibrage. Le kit d'équilibrage peut être utilisé pour faciliter le rééquilibrage si le ventilateur de plafond se déséquilibre à nouveau. Rangez votre kit d'équilibrage après l'installation pour une utilisation ultérieure si nécessaire.

BRUIT :

Lorsque l'ambiance est calme (en particulier la nuit), il se peut que vous entendiez de faibles bruits occasionnels. De légères fluctuations de l'alimentation électrique et des signaux de fréquence superposés dans l'électricité pour le contrôle de la production d'eau chaude en période creuse peuvent entraîner un changement du bruit du moteur du ventilateur. Ce phénomène est normal. Veuillez prévoir une période de « rodage » de 24 heures : la plupart des bruits associés à un ventilateur neuf disparaissent pendant cette période.

La garantie du fabricant couvre les défauts réels susceptibles d'apparaître et NON les réclamations mineures telles que le bruit de fonctionnement du ventilateur : tous les moteurs électriques sont audibles dans une certaine mesure.



ENTRETIEN ET NETTOYAGE

REMARQUE : Coupez toujours l'alimentation au niveau de l'interrupteur secteur avant tout entretien ou toute tentative de nettoyage du ventilateur.

- Le seul entretien requis est un nettoyage tous les 6 mois de votre ventilateur de plafond. Utilisez une brosse à poils souples ou un chiffon non pelucheux pour éviter de rayer la peinture. Veuillez couper l'alimentation secteur lors de cette opération.
- Ne trempez pas ou n'immergez pas le ventilateur de plafond dans l'eau ou dans d'autres liquides. Cela pourrait endommager le moteur ou les pales et créer un risque de choc électrique.
- Veillez à ce que le ventilateur n'entre pas en contact avec des solvants organiques ou des détergents.
- Pour nettoyer les pales du ventilateur, essuyez-les avec un chiffon propre et humide seulement, sans solvant organique ni détergent.
- Le moteur dispose d'un roulement à billes lubrifié en permanence, il n'y a donc pas besoin de l'huiler.

CONSIGNES DE SÉCURITÉ CONCERNANT LES PILES

- **AVERTISSEMENT** – Tenez les piles neuves et usagées hors de portée des enfants.
- **ATTENTION** – N'ingérez pas les piles, risque de brûlure chimique.
- Utilisez toujours 2 piles de type AAA avec la télécommande de ce ventilateur de plafond.
- Les piles doivent être insérées dans le sens de polarité indiqué.
- Afin d'éviter une mise en marche inattendue pendant l'insertion ou le remplacement des piles, ce ventilateur de plafond doit être débranché de l'alimentation secteur.
- Retirez les piles du produit lorsqu'il n'est pas utilisé pendant longtemps.
- Les piles doivent être retirées de la télécommande avant d'être jetées.
- Jetez les piles épuisées immédiatement et de manière sécurisée (afin qu'elles ne puissent pas être récupérées par des enfants). Les piles usées restent dangereuses. Contactez les autorités locales pour éliminer les piles en toute sécurité.
- Vérifiez régulièrement le produit et assurez-vous que le couvercle du compartiment des piles est bien fermé. Si le compartiment des piles ne peut pas être fermé solidement, cessez d'utiliser le produit et maintenez-le hors de portée des enfants.
- Si vous pensez que des piles ont peut-être été avalées ou mises dans une partie du corps, consultez immédiatement un médecin.



INFORMATIONS TECHNIQUES

Ventilateur	Ventilateur 62" - Louisville
Modèles de ventilateur/SKU#	LD-62" LOU/SKU# 213175, 213176
Tension nominale	220-240 V~ 50 Hz
Puissance nominale (moteur)	42 W
Source lumineuse	Ce produit contient une source lumineuse de classe d'efficacité énergétique E
Puissance nominale (ampoule)	SKU# 121357: GX53,18W, 3000K, 3 step-dim (Inclus) Également compatible avec SKU# 121358: GX53,18W, 4000K, 3 step-dim (non inclus)
Piles pour télécommande	2 piles AAA (non inclus)
Poids	8,3 kg
Dimensions du cache	H : 58 mm Dia : 150 mm

INFORMATIONS SUR LA GARANTIE

EN AUSTRALIE/NOUVELLE-ZÉLANDE – Veuillez vous référer à la DÉCLARATION DE GARANTIE séparée.
EN EUROPE – Si vous êtes un client européen, veuillez contacter le magasin d'achat du ventilateur afin de faire valoir la garantie.



This fan is suitable for indoor and alfresco areas where the fan is fully undercover with a minimum of 2 walls. This fan is not waterproof. When installed in an alfresco area, the ceiling fan must be positioned in a location protected from water, wind, dust and salt. Exposure to these elements will void the warranty. Mounting the fan in a situation where it is subject to water or moisture is dangerous.

E

GRACIAS POR SU COMPRA

Gracias por comprar la última tecnología en ventiladores de techo de bajo consumo. Este ventilador funciona por corriente continua (CC) y ofrece la máxima eficiencia energética a la vez que asegura el desplazamiento máximo de aire y un funcionamiento silencioso.

Ahorro de energía - El motor CC incorpora la última tecnología en diseño de ventiladores. Su motor de alta eficiencia ahorra hasta un 65 % más de energía que los ventiladores de techo con motores de CA tradicionales.

Funcionamiento silencioso - Este ventilador con motor de CC está programado con una corriente estabilizada que reduce eficazmente el ruido del motor.

Baja temperatura de funcionamiento - La alimentación por corriente continua reduce la temperatura de funcionamiento del motor a menos de 50 °C . Con esto se consigue un motor más frío que el de un ventilador CA estándar y se aumenta la longevidad del motor.

Mando a distancia con 6 velocidades - Los ventiladores CA normales solo disponen de 3 velocidades. Este ventilador CC incluye un mando a distancia con 6 velocidades que le proporciona más opciones en cuanto a niveles de confort.

MEDIDAS DE SEGURIDAD

1. En Europa: Este aparato puede ser utilizado por niños a partir de los 8 años o personas con discapacidades físicas, sensoriales o mentales, o que no cuenten con suficiente experiencia o conocimientos, si son supervisados o han sido instruidos en el uso apropiado y seguro del aparato y entienden los peligros que acarrea. Las tareas de limpieza y mantenimiento no podrán ser realizadas por niños sin la debida supervisión.
2. En Australia: Este aparato no ha sido diseñado para ser utilizado por personas (niños incluidos) con discapacidades físicas, sensoriales o mentales, o que no cuenten con la experiencia o los conocimientos necesarios, a menos que sean supervisados o hayan sido instruidos en el uso apropiado del aparato por una persona responsable de su seguridad.
3. Se debe supervisar a los niños para asegurarse de que no juegan con el aparato.
4. Se debe incorporar un interruptor de desconexión onnipolar en el cableado fijo siguiendo el reglamento local sobre cableados eléctricos.



5.  No deseche los aparatos eléctricos en la basura general sin clasificar; utilice los puntos de recogida selectiva.

Póngase en contacto con las autoridades locales para que le informen sobre los sistemas de recogida disponibles. De acabar en los vertederos o basureros, los aparatos eléctricos pueden desprender sustancias nocivas que podrían contaminar las aguas subterráneas y entrar en la cadena alimenticia, con el consecuente peligro para la salud y el bienestar.

6. La estructura a la que el ventilador debe montarse debe ser capaz de soportar 28 kg de peso.
7. El ventilador deberá montarse de tal manera que las aspas estén, como mínimo, a una altura de 2,3 m del suelo en Europa o de 2,1 m en Australia.



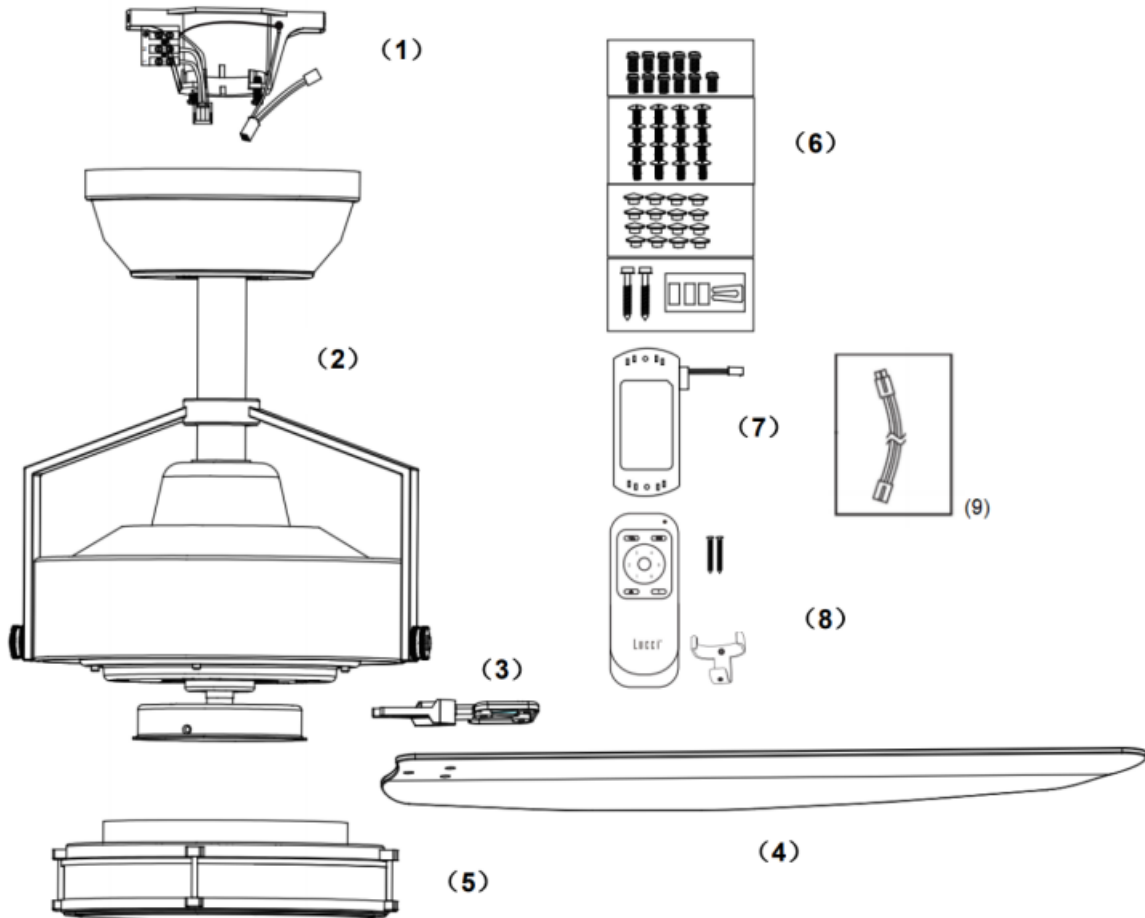
8. Este ventilador es apropiado para áreas de interior y al aire libre donde esté totalmente cubierto y con 2 paredes como mínimo. Este ventilador no es resistente al agua. Cuando se instale en un lugar al aire libre, el ventilador de techo debe ubicarse en un lugar protegido del agua, el viento, el polvo y la sal. La exposición a estos elementos anulará la garantía. Montar el ventilador en un lugar donde quede expuesto al agua o la humedad es peligroso y puede aumentar el riesgo de daños, lesiones o descargas eléctricas.
9. Debe ser montado e instalado por un electricista acreditado.
10. **ADVERTENCIA:** Si se observara un movimiento inusual de oscilación o bamboleo, deje de usar el ventilador de techo inmediatamente y póngase en contacto con el fabricante, su servicio técnico o personas debidamente calificadas.
11. La sustitución de las piezas del sistema de suspensión de seguridad deberá llevarla a cabo el fabricante, su servicio técnico o personas debidamente calificadas.
12. Los elementos para sujetarlo al techo, como ganchos u otros elementos, deberán fijarse con suficiente firmeza para soportar 4 veces el peso del ventilador de techo. El montaje del sistema de suspensión deberá efectuarlo el fabricante, su servicio técnico o personas debidamente calificadas.



This fan is suitable for indoor and alfresco areas where the fan is fully undercover with a minimum of 2 walls. This fan is not waterproof. When installed in an alfresco area, the ceiling fan must be positioned in a location protected from water, wind, dust and salt. Exposure to these elements will void the warranty. Mounting the fan in a situation where it is subject to water or moisture is dangerous.

LISTA DE COMPONENTES

- Desembale el ventilador de techo con cuidado. Saque todas las piezas y la tornillería.
- Deposite todos los componentes sobre una superficie lisa y asegúrese de que no falte ninguno antes de comenzar el montaje. Si falta alguna pieza, devuelva el producto completo al lugar donde realizó la compra para que lo examinen o reemplacen.
- Compruebe que el ventilador de techo no haya sufrido algún daño durante el transporte. Nunca utilice o instale un producto que parezca sufrir algún daño. Devuelva el producto completo al lugar donde realizó la compra para que lo examinen, reparen o reemplacen.
- Asegúrese de que se incluyan las siguientes piezas:



Img. 1

1	1 Soporte de montaje	7	1 Receptor de la señal remota
2	1 Conjunto del ventilador	8	1 juego de Mando a distancia, portamandos
3	5 Soportes de aspas	9	1 Cable de extensión del kit de iluminación
4	5 Aspas		
5	1 Lámpara (la bombilla GX53 de 18 W viene preinstalada en la lámpara)		
6	1 juego de tornillos de instalación, tornillos para las aspas y kit de compensación		



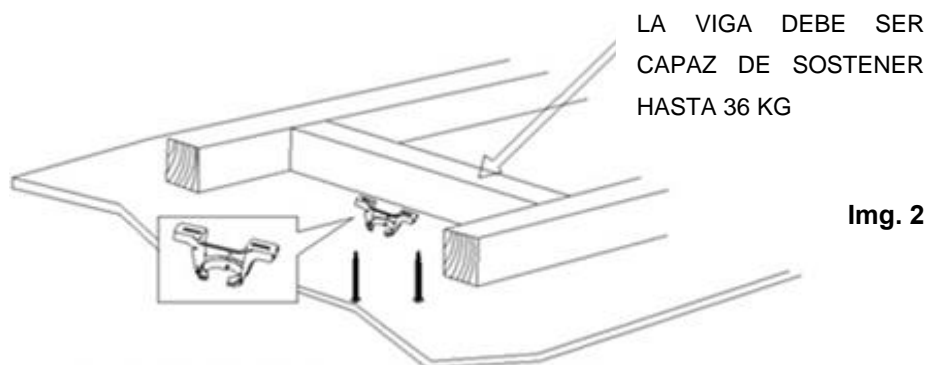
INSTALACIÓN DEL VENTILADOR

HERRAMIENTAS REQUERIDAS:

- Destornillador Phillips/punta plana
- Alicates
- Llave inglesa
- Escalera
- Cortacables
- Cableado y cable de corriente, conforme a lo requerido por los reglamentos y las normas nacionales y provinciales

INSTALACIÓN DEL SOPORTE DE TECHO

- El ventilador de techo debe instalarse en un lugar donde las puntas de las aspas estén a una distancia mínima de 300 mm de las paredes y los objetos más cercanos.
- Con los dos tornillos largos suministrados, instale el soporte de colgar sobre una viga o una estructura del techo capaz de soportar al menos 36 kg. Asegúrese de enroscar los tornillos 30 mm como mínimo en el punto de instalación. (Img. 2)



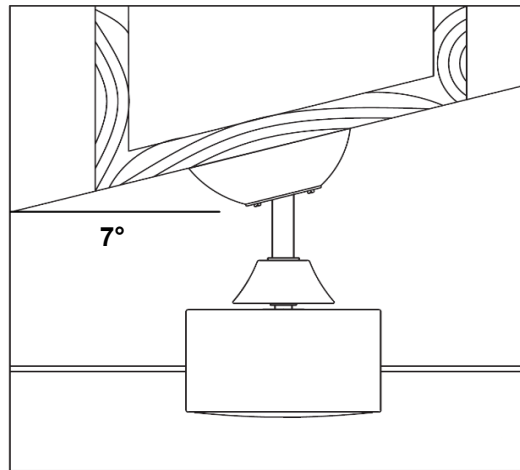
NOTA: ESTA IMAGEN SOLO SE MUESTRA A MODO DE REFERENCIA Y NO ES UNA REPRESENTACIÓN DEL SOPORTE REAL

NOTA: Los tornillos del soporte solo deben usarse con estructuras de madera. Para estructuras diferentes a la madera, DEBERÁ utilizarse el tipo de tornillo adecuado. Asegúrese de que los tornillos sean los apropiados para la superficie de montaje y su alrededor.

INSTALACIÓN EN UN TECHO INCLINADO

Este ventilador con sistema colgante puede ser instalado en un techo con una inclinación máxima de 7 grados. (Img. 3)

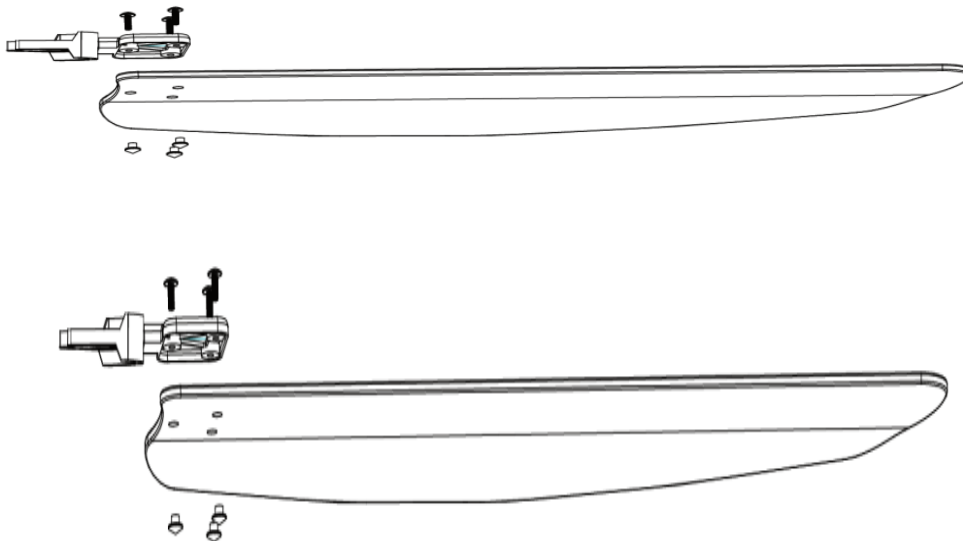




Img. 3

INSTALACIÓN DE LAS ASPAS (Img. 4)

1. Instale las aspas al soporte ajustando los 3 tornillos a las tuercas.
2. Instale el soporte al conjunto del ventilador con los 2 tornillos.
Asegúrese de que todos los tornillos estén apretados uniformemente para reducir la posibilidad de alabeos o desequilibrios.
Tenga cuidado de no apretar en exceso los tornillos, ya que podría dañar las aspas
3. Repita el mismo procedimiento para las demás aspas.

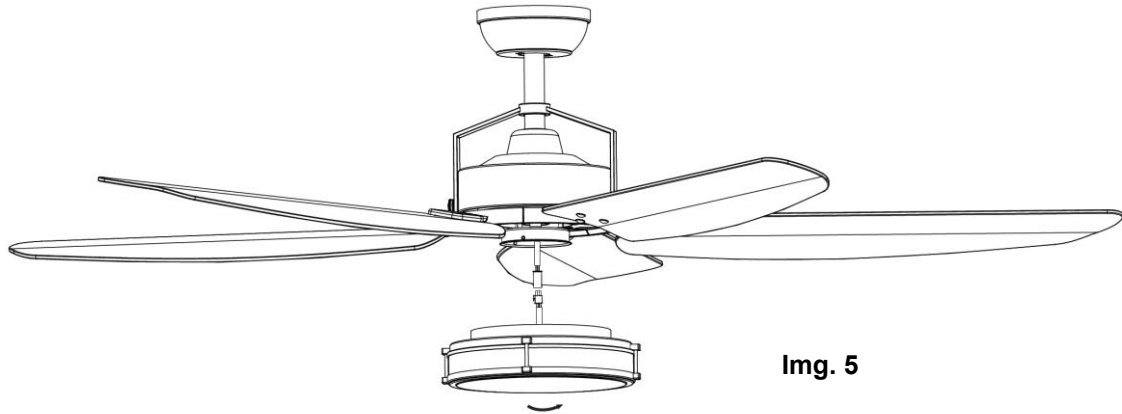


Img. 4

INSTALACIÓN DE LA LÁMPARA (Img. 5)

- **NOTA:** La lámpara debe ser instalada por un electricista acreditado.
- Conecte los cables de la lámpara al conjunto del ventilador mediante el conector rápido.
- Instale la lámpara al conjunto del ventilador y ajústela girando en sentido horario.

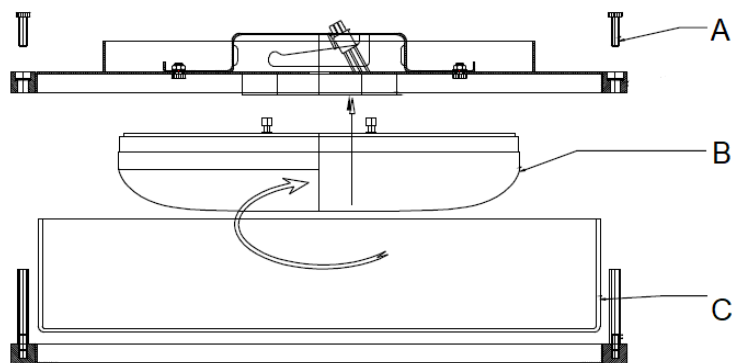




Img. 5

INSTALACIÓN DE LA BOMBILLA (Img. 6)

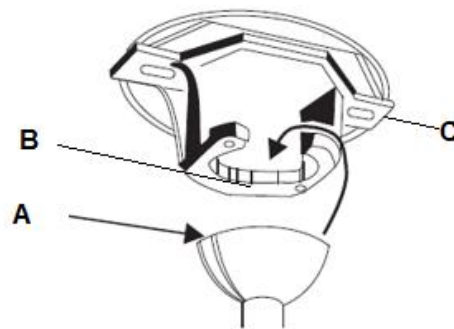
- **NOTA:** La bombilla GX53 viene preinstalada en la lámpara. Siga los pasos siguientes si necesita reemplazar la bombilla.
- Retire la pantalla (C) aflojando los 3 tornillos (A).
- Reemplace la bombilla GX53 (B) por otra nueva. No exceda la potencia nominal máxima.
- Instale de nuevo la pantalla (C) en la lámpara y ajuste los 3 tornillos (A).



Img. 6

CÓMO COLGAR EL VENTILADOR

Alice el conjunto del ventilador para colgarlo en el soporte de techo. Asegúrese de que la ranura de llave (A) de la junta esférica esté posicionada sobre la clavija de llave (B) del soporte de montaje (C) para evitar la rotación del ventilador cuando esté funcionando. (Img. 7)



Img. 7



DIAGRAMA DEL CABLEADO ELÉCTRICO DEL VENTILADOR**PREPARE Y COMPLETE EL CABLEADO ELÉCTRICO --- DIAGRAMA DEL CABLEADO (IMAGEN 8)**

ADVERTENCIA: POR SU SEGURIDAD, TODAS LAS CONEXIONES ELÉCTRICAS DEBERÍA EFECTUARLAS UN ELECTRICISTA ACREDITADO.

NOTA: EL CABLEADO FIJO DEBERÁ INCORPORAR UN INTERRUPTOR DE DESCONEXIÓN OMNIPOLAR ADICIONAL.

NOTA: CUANDO HAYA DOS O MÁS VENTILADORES DE TECHO DE CORRIENTE CONTINUA INSTALADOS EN UN MISMO LUGAR, SERÁ NECESARIO UN INTERRUPTOR DE AISLAMIENTO PARA CADA VENTILADOR DE TECHO. ESTO SE REQUIERE A LA HORA DE PROGRAMAR EL MANDO A DISTANCIA Y EL RECEPTOR PARA SU EMPAREJAMIENTO.

Nota: Si se usa una extensión para la tija, será necesario un cable alargador para la lámpara (artículo 9 de la imagen 1).

Del suministro de corriente a la clema del soporte de techo: (Imagen 8)

1. Conecte el cable de fase al terminal «L» de la clema del soporte de techo.
2. Conecte el cable neutro de la corriente al terminal «N» de la clema del soporte de techo.
3. Conecte el cable de tierra al terminal de tierra de la clema del soporte de techo.

Del soporte de techo al receptor y el motor: (Imagen 8)

4. Conecte el cable del soporte de techo a la entrada del receptor del motor CC.
 5. Conecte los cables de salida del receptor del motor CC (desde el soporte de techo con el cable de tierra) al conector de salida del receptor del motor CC (**Imagen 8**). Conecte los cables de salida del receptor del motor CC con cable a tierra (desde el soporte de techo con el cable de tierra) a la entrada del motor del ventilador (**Imagen 8**).
 6. Conecte los cables de salida del receptor del motor CC a los cables de entrada de la lámpara del ventilador.
- Inserte con cuidado el receptor de la señal remota por encima de la junta esférica e introdúzcalo en el espacio restante dentro del soporte de techo. Procure no dañar o aflojar los cables. (Img. 8).



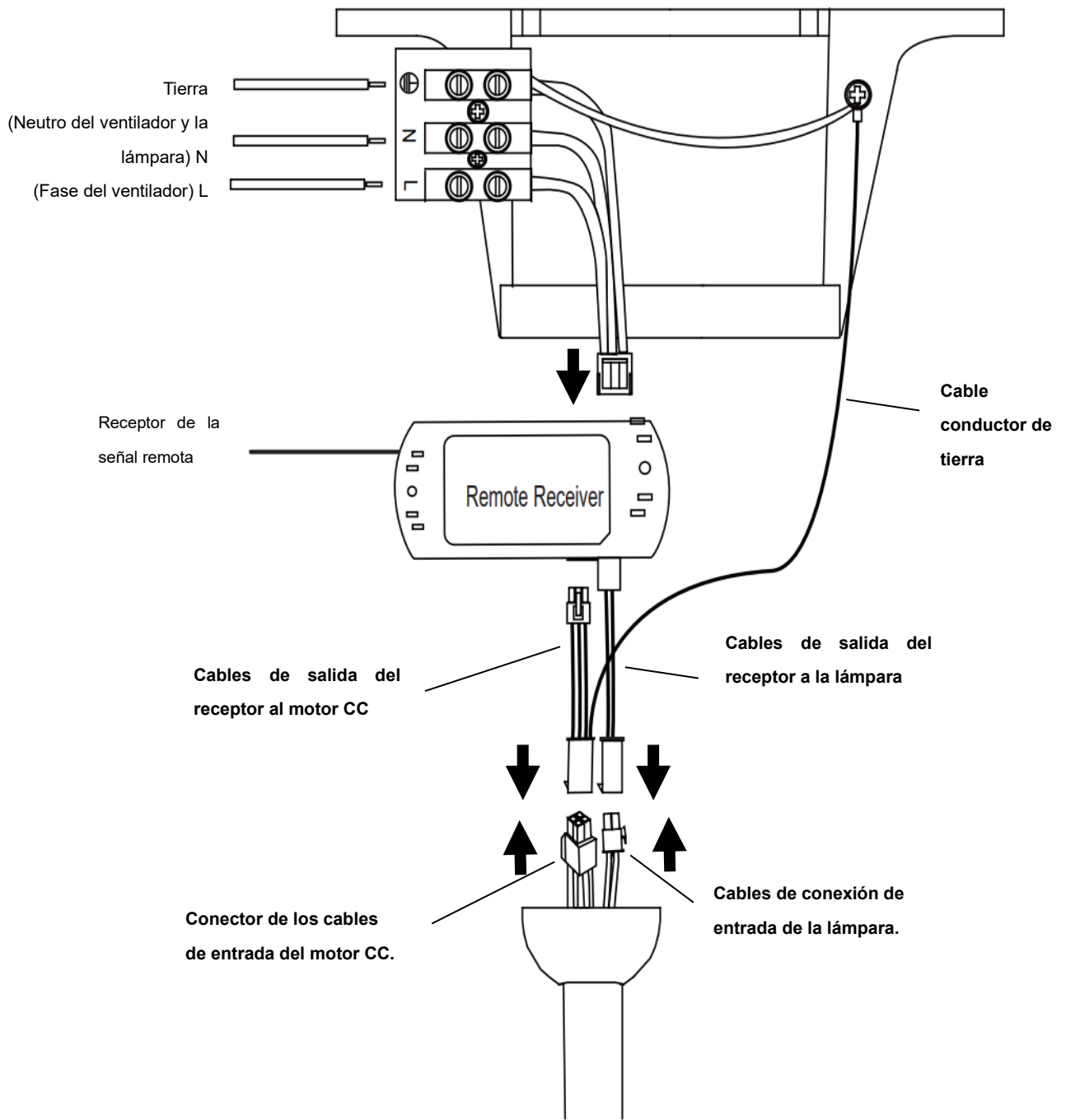
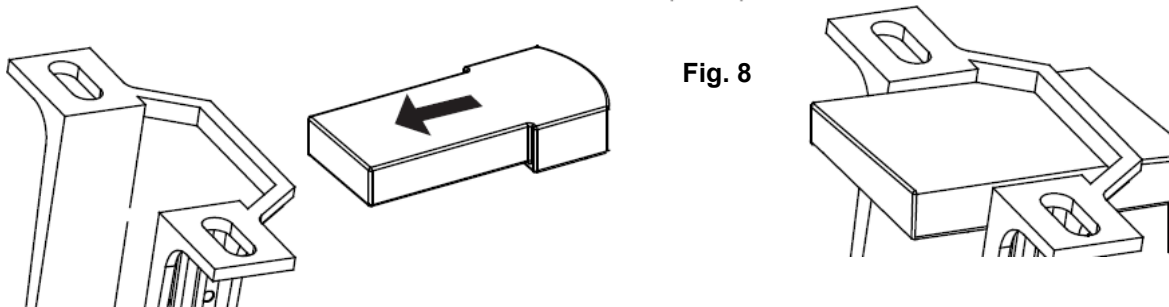


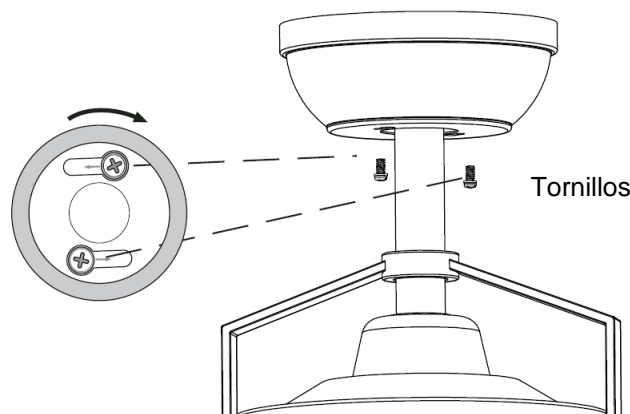
Fig. 8



This fan is suitable for indoor and alfresco areas where the fan is fully undercover with a minimum of 2 walls. This fan is not waterproof. When installed in an alfresco area, the ceiling fan must be positioned in a location protected from water, wind, dust and salt. Exposure to these elements will void the warranty. Mounting the fan in a situation where it is subject to water or moisture is dangerous.

CÓMO FINALIZAR LA INSTALACIÓN**INSTALACIÓN DEL FLORÓN (Img. 9)**

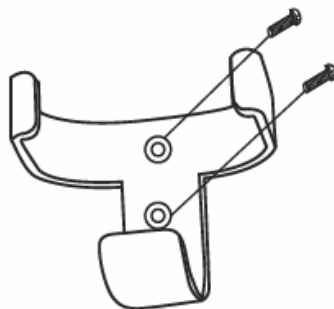
1. Asegúrese de que los conductores de tierra estén asegurados y conectados correctamente llevando a cabo una prueba de continuidad de tierra desde la pieza trasera de metal accesible del ventilador hasta el terminal de tierra en la regleta de conexiones del soporte.
2. Afloje los 2 tornillos de la parte inferior del soporte.
3. Inserte el florón hasta cubrir el soporte de techo y alinee los orificios de llave del florón con los tornillos del soporte de techo. Gire el florón hasta que llegue al tope de la sección más estrecha de los orificios de llave y asegúrelo apretando los dos tornillos. Evite dañar los cables eléctricos empalmados en los pasos anteriores.



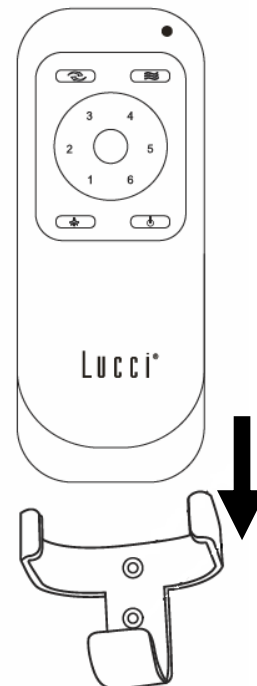
Img. 9

INSTALACIÓN DEL PORTAMANDOS (Img. 10)

1. Elija un lugar apropiado de una pared para fijar el portamandos con los 2 tornillos. (Img. 10a).
2. Introduzca el mando a distancia en el portamandos. (Img. 10b)



Img. 10a

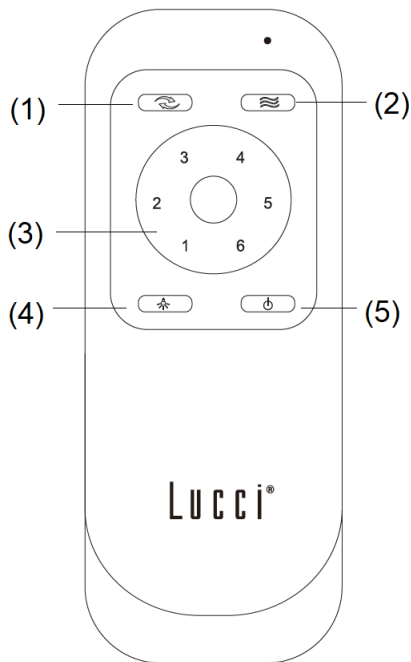


Img. 10b



CÓMO USAR SU VENTILADOR DE TECHO

MANDO A DISTANCIA (Img. 11)



- (1) Control inverso
- (2) Aire natural (la velocidad del ventilador cambiará automáticamente del 1 al 6 de manera cíclica)
- (3) Control de velocidad
- (4) Encender/apagar la lámpara
- (5) Encender/apagar el ventilador
- (6) 2 pilas AAA de 1,5 V (No incluido)



Img. 11

CONTROL DE LA FUNCIÓN DE ILUMINACIÓN (Img. 11)


La bombilla LED GX53 posee un circuito de atenuación de 3 niveles.

- Para empezar, encienda la bombilla LED al 100% de brillo - presione el botón de luz (4) una vez en el mando a distancia.
 - Presione el botón de luz para apagarla después vuelva a encenderla de nuevo en un plazo de 3 segundos para atenuar la luz al 50% de brillo.
 - Presione el botón de luz para apagarla después vuelva a encenderla de nuevo en un plazo de 3 segundos para atenuar la luz al 15% de brillo.
- (Si no se completa el ciclo de encendido y apagado en un plazo de 3 segundos, la bombilla se restablecerá al 100% de brillo).

EMPAREJAMIENTO DEL MANDO A DISTANCIA Y EL RECEPTOR - CUANDO HAYA 1 VENTILADOR DE TECHO DE CC INSTALADO EN UN LUGAR

NOTA: Asegúrese de haber instalado un interruptor de desconexión unipolar en el cableado fijo para el ventilador.

NOTA: Asegúrese de que el receptor esté activado antes de emparejar el mando a distancia al receptor.

- Apague el ventilador mediante el interruptor de la pared.
- Instale las pilas en el mando a distancia. Asegúrese de que la pila esté colocada en el sentido correcto de la polaridad.
- Active la alimentación del receptor.
- Mantenga presionado el botón “

50 | Page



- Se escuchará un aviso sonoro desde el receptor para indicar que el emparejamiento se ha efectuado correctamente.
- Encienda el ventilador de techo y cambie su velocidad mediante el mando a distancia para comprobar el funcionamiento y el emparejamiento satisfactorio.


EMPAREJAMIENTO DEL MANDO A DISTANCIA Y EL RECEPTOR - CUANDO HAYA 2 O MÁS VENTILADORES DE TECHO DE CC INSTALADOS EN UN MISMO LUGAR

Cuando haya dos o más ventiladores próximos, tal vez desee emparejar el mando a distancia/receptor para cada ventilador de manera que el funcionamiento de un ventilador no afecte al de los demás.


NOTA: Asegúrese de haber instalado un interruptor de desconexión unipolar en el cableado residencial para cada ventilador.

NOTA: Asegúrese de que el receptor esté encendido (ON) antes de emparejar el mando a distancia con el receptor.

Emparejamiento del mando a distancia/receptor del ventilador de techo 1:

- Desconecte la alimentación de los receptores de ambos ventiladores 1 y 2.
- Instale las pilas en el mando a distancia. Asegúrese de que la pila esté colocada en el sentido correcto de la polaridad.
- Active la alimentación del receptor 1. Mantenga desactivada la alimentación del receptor 2. (Cada ventilador de techo deberá tener su propio interruptor de aislamiento, de modo que solamente esté encendido el ventilador de techo que necesite emparejarse con el transmisor).
- Mantenga presionado el botón “” del **transmisor 1** durante 10 segundos dentro de los 30 segundos siguientes de la activación de la alimentación al receptor del ventilador de techo 1.
- Se escuchará un aviso sonoro desde el receptor para indicar que el emparejamiento se ha efectuado correctamente.
- Encienda el ventilador de techo 1 y cambie su velocidad mediante el transmisor para comprobar el funcionamiento y el emparejamiento satisfactorio.

Emparejamiento del mando a distancia / receptor del ventilador de techo 2:

- Desconecte la alimentación de los receptores de ambos ventiladores 1 y 2.
- Instale las pilas en el mando a distancia. Asegúrese de que la pila esté colocada en el sentido correcto de la polaridad.
- Active la alimentación del receptor 2. Mantenga desactivada la alimentación del receptor 1. (Cada ventilador de techo deberá tener su propio interruptor de aislamiento, de modo que solamente esté encendido el ventilador de techo que necesite emparejarse con el transmisor).
- Mantenga presionado el botón “” del **transmisor 2** durante 10 segundos dentro de los 30 segundos siguientes de la activación de la alimentación al receptor del ventilador de techo 2.
- Se escuchará un aviso sonoro desde el receptor para indicar que el emparejamiento se ha efectuado correctamente.
- Encienda el ventilador de techo 2 y cambie su velocidad mediante el transmisor para comprobar el funcionamiento y el emparejamiento satisfactorio.



NUEVO EMPAREJAMIENTO DEL RECEPTOR Y EL MANDO A DISTANCIA DEL VENTILADOR

Si perdiera el control del receptor y el mando a distancia después de la instalación o durante su uso, deberá emparejar de nuevo el receptor y el mando a distancia. A continuación se describen los síntomas de funcionamiento y el método para volver a emparejar el receptor y el mando a distancia del ventilador de techo de CC.

Problemas:

- Pérdida de control: el ventilador solo funciona a alta velocidad después de la instalación
- Pérdida de control - La función de cambio de sentido no funciona después de la instalación.
- Pérdida de control: el mando a distancia no se puede comunicar con el receptor

Solución:

- Apague la alimentación principal del ventilador de techo.
- Encienda la alimentación principal del ventilador de techo. Siga el mismo procedimiento que se describe en la sección 'Emparejamiento del mando a distancia y el receptor' para volver a emparejar su ventilador.
- Encienda y seleccione una velocidad diferente del ventilador de techo para comprobar el funcionamiento del ventilador.

DESPUÉS DE LA INSTALACIÓN

NOTA: Los ventiladores de techo tienden a moverse cuando están funcionando debido a que están montados sobre una arandela de goma. Si el ventilador estuviera montado rígidamente al techo, se podrían generar demasiadas vibraciones. Unos pocos centímetros de movimiento es bastante aceptable y NO indica que haya un problema.

PARA REDUCIR EL BAMBOLEO DEL VENTILADOR: Compruebe que todos los tornillos que fijan el soporte de techo del ventilador y la tija estén bien apretados.

KIT DE COMPENSACIÓN: Se incluye un kit de compensación para equilibrar el ventilador de techo durante la instalación inicial. Consulte las instrucciones acerca de cómo usar el kit de compensación. El kit de compensación puede usarse para reequilibrar el ventilador si llegara a desequilibrarse. Después de la instalación, guarde el kit de compensación por si lo necesita en un futuro.

RUIDO:

En los momentos silenciosos (sobre todo por la noche), puede que en ocasiones escuche ruidos tenues. Leves fluctuaciones de la corriente y frecuencias de señales superpuestas en la corriente para el control del agua caliente durante horas no puntas pueden causar cambios en el ruido del motor del ventilador. Esto es algo normal. Permita un periodo de adaptación de 24 horas. Tras este periodo, la mayoría de los ruidos asociados con su nuevo ventilador deberían haber desaparecido.

La garantía del fabricante cubre fallos reales que puedan acaecer, NO así quejas menores como escuchar el ruido del motor – Todos los motores eléctricos generan cierto ruido.

CUIDADO Y LIMPIEZA

NOTA: Apague siempre el ventilador desde el cuadro eléctrico antes de llevar a cabo cualquier tarea de mantenimiento o limpieza.

- El único mantenimiento que requiere su ventilador de techo es una limpieza cada 6 meses. Utilice un cepillo blando



o un paño que no deje pelusa para no rayar el acabado de pintura. Corte la corriente de la red cuando haga esto.

- No moje ni sumerja el ventilador de techo en el agua u otros líquidos. Esto podría dañar el motor o las aspas y dar pie a posibles descargas eléctricas.
- Asegúrese de que el ventilador no entre en contacto con disolventes orgánicos o detergentes.
- Para limpiar las aspas del ventilador, basta con pasar un paño humedecido SIN usar disolventes orgánicos ni detergentes.
- El motor tiene un rodamiento con lubricación permanente, por lo que no es necesario engrasarlo.

MEDIDAS DE SEGURIDAD CON LAS PILAS

- **ADVERTENCIA** – Mantenga las pilas nuevas y usadas fuera del alcance de los niños.
- **PRECAUCIÓN** – No ingerir la pila: riesgo de quemadura química.
- Utilice siempre 2 pilas tipo AAA con el mando a distancia del ventilador de techo.
- Asegúrese de que las pilas estén instaladas en el sentido correcto de la polaridad.
- Para evitar el funcionamiento accidental del ventilador de techo al instalar o sustituir las pilas, desconéctelo de la corriente.
- Retire las pilas del producto cuando no lo vaya a utilizar durante un largo periodo de tiempo.
- Las pilas deben retirarse del mando a distancia antes de desecharlo.
- Deseche las pilas agotadas inmediatamente y de forma segura (para que no puedan acabar en manos de los niños). Las pilas pueden seguir siendo peligrosas. Póngase en contacto su ayuntamiento para deshacerse de las pilas de una manera segura.
- Examine periódicamente el producto y asegúrese de que la tapa del compartimento de las pilas esté bien cerrada. Si el compartimento de las pilas no se cerrara bien, deje de usar el producto y guárdelo en un lugar fuera del alcance de los niños.
- Si sospecha que alguna pila ha podido ser ingerida o introducida en alguna parte del cuerpo, acuda al médico inmediatamente.

INFORMACIÓN TÉCNICA

Ventilador	Ventilador de 62” - Louisville
Modelos de ventilador / SKU#	LD-62" LOU / SKU# 213175, 213176
Tensión nominal	220-240 V~ 50 Hz
Potencia nominal (motor)	42 W
Fuente de iluminación	Este producto contiene una fuente de iluminación con una eficiencia energética de clase E.
Potencia nominal (lámpara)	SKU# 121357: GX53,18W, 3000K, 3 step-dim (Incluido) También es compatible con SKU# 121358: GX53,18W, 4000K, 3 step-dim (no incluido)
Pilas para el mando a distancia	2 pilas AAA (No incluido)
Peso	8.3kg
Dimensiones del florón	Altura: 58 mm Ø: 150 mm

INFORMACIÓN SOBRE LA GARANTÍA

EN AUSTRALIA Y NUEVA ZELANDA – Por favor, consulte la DECLARACIÓN DE LA GARANTÍA que viene por separado.

EN EUROPA – Si es un cliente europeo, contacte con la tienda distribuidora donde adquirió el ventilador para obtener los servicios de garantía.



This fan is suitable for indoor and alfresco areas where the fan is fully undercover with a minimum of 2 walls. This fan is not waterproof. When installed in an alfresco area, the ceiling fan must be positioned in a location protected from water, wind, dust and salt. Exposure to these elements will void the warranty. Mounting the fan in a situation where it is subject to water or moisture is dangerous.



GRAZIE PER L'ACQUISTO

Grazie per avere acquistato questo ventilatore a soffitto a risparmio energetico di ultima generazione. Questo ventilatore funziona a corrente continua (CC), che offre un'elevata efficienza energetica pur mantenendo un intenso movimento dell'aria e un funzionamento silenzioso.

Risparmio energetico – Il motore a corrente continua è la più recente tecnologia nella progettazione di ventilatori. Il motore altamente efficiente risparmia fino al 65% di energia in più rispetto ai ventilatori a soffitto con motori CA tradizionali.

Funzionamento silenzioso: questo motore per ventilatori CC è programmato con una corrente stabilizzata, la quale riduce in modo efficiente il rumore del motore.


Bassa temperatura di funzionamento – L'alimentazione a corrente continua viene gestita efficacemente, abbassando la temperatura di funzionamento del motore a meno di 50°C. Ciò rende il motore meno caldo rispetto a quelli dei ventilatori CA standard, e ne aumenta la durata di vita.

Telecomando a 6 velocità – Mentre i tradizionali ventilatori a soffitto CA sono generalmente dotati di sole 3 velocità, questo ventilatore CC include un telecomando a 6 velocità per soddisfare tutte le esigenze individuali.

PRECAUZIONI DI SICUREZZA

1. In Europa: questo apparecchio può essere utilizzato da persone (compresi i bambini di età superiore a 8 anni) con ridotte capacità fisiche, sensoriali o mentali oppure prive di esperienza o conoscenza del prodotto, purché supervisionate o istruite sull'uso sicuro dell'apparecchio e consapevoli di tutti i rischi correlati. Le operazioni di pulizia e manutenzione ordinaria non devono essere effettuate da bambini non supervisionati.
2. In Australia: questo apparecchio non deve essere utilizzato da persone (compresi i bambini) con ridotte capacità fisiche, sensoriali o mentali oppure prive di esperienza o conoscenza del prodotto, a meno che non siano sorvegliate o siano state istruite sull'uso dell'apparecchio da una persona responsabile della loro sicurezza.
3. Sorvegliare i bambini per accertarsi che non giochino con l'apparecchio.
4. Nel cablaggio fisso deve essere incluso un interruttore onnipolare, secondo quanto previsto dalle norme di cablaggio locali.



5.  Non smaltire apparecchi elettrici come rifiuti urbani indifferenziati, utilizzare le strutture di raccolta differenziata. Contattare le autorità locali per informazioni sui sistemi di raccolta disponibili. Se gli apparecchi elettrici vengono gettati nelle discariche, le sostanze pericolose che contengono possono infiltrarsi nella falda freatica ed entrare nella catena alimentare, con effetti nocivi su salute e benessere.
6. La struttura su cui verrà installato il ventilatore deve essere in grado di sostenere un peso di 28 kg.
7. Il ventilatore deve essere installato in modo tale che le pale siano ad almeno 2,3 metri di altezza dal pavimento in Europa o 2,1 metri in Australia.
8. Questo ventilatore è adatto ad aree interne e all'aperto, purché sia completamente protetto da almeno 2 pareti. Questo



ventilatore non è impermeabile. Se collocato in aree all'aperto, il ventilatore deve essere installato in una posizione protetta da acqua, vento, polvere e sale. L'esposizione a tali elementi comporta l'annullamento della garanzia. L'installazione del ventilatore in una posizione esposta ad acqua o umidità è pericolosa e può aumentare il rischio di danni, lesioni o scossa elettrica.

9. Il ventilatore deve essere assemblato e installato da un elettricista professionista.
10. **AVVERTENZA:** in caso di oscillazioni anomale, interrompere immediatamente l'uso del ventilatore a soffitto e contattare il costruttore, un suo centro di assistenza o un tecnico qualificato.
11. La sostituzione delle parti del sistema di sospensione di sicurezza deve essere effettuata dal costruttore, da un suo centro di assistenza o da un tecnico qualificato.
12. I dispositivi di fissaggio del ventilatore al soffitto, ad esempio i ganci, devono essere in grado di sostenere 4 volte il peso del ventilatore; l'installazione del sistema di sospensione deve essere effettuata dal costruttore, da un suo centro di assistenza o da un tecnico qualificato.



ELENCO DELLE PARTI

- Disimballare il ventilatore con attenzione. Estrarre tutti i componenti e gli accessori.
- Disporre il contenuto su una superficie piana e, prima dell'assemblaggio, assicurarsi che siano presenti tutti i componenti. In caso di componenti mancanti, riportare il prodotto presso il rivenditore affinché venga ispezionato o sostituito.
- Verificare che il ventilatore non abbia subito danni durante il trasporto. Non usare/installare il prodotto se presenta danni di qualsiasi tipo. Riportare il prodotto completo presso il rivenditore affinché venga ispezionato, riparato o sostituito.
- Esaminare tutti i componenti e verificare che corrispondano a quelli elencati di seguito.

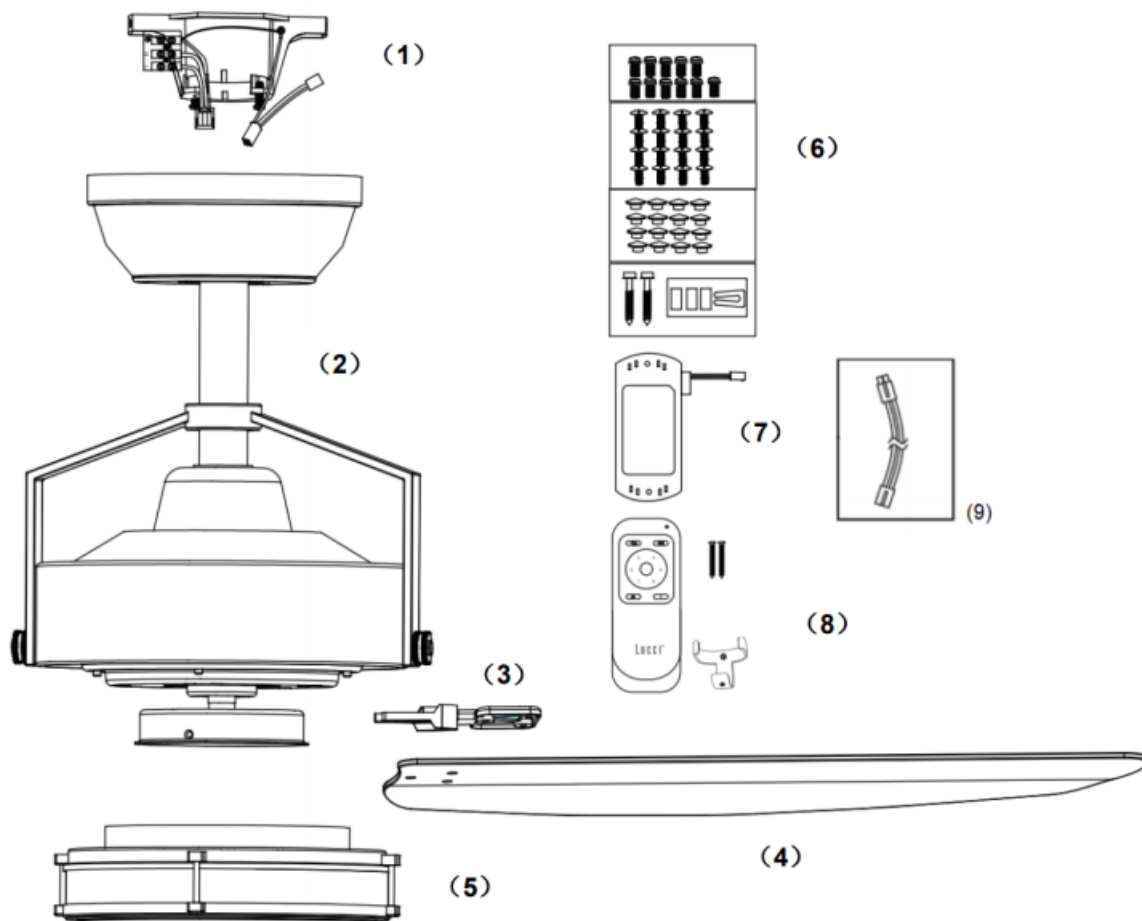


Fig. 1

1	Staffa di supporto x1	7	Ricevitore del telecomando x1
2	Gruppo ventilatore x1	8	Telecomando, supporto x1 set
3	Staffa della pala x5	9	Prolunga per kit luce x1
4	Pale x5		
5	Kit luce x1 (nel kit luce è pre-installata una lampadina GX53 da 18 W)		
6	Viti di installazione, viti per pale e kit di bilanciamento x 1 set		



INSTALLAZIONE DEL VENTILATORE

UTENSILI NECESSARI

- Cacciavite a croce/a testa piatta
- Pinza
- Chiave regolabile
- Scala
- Pinza spelafili
- Cavi elettrici e di alimentazione conformi alle normative di cablaggio locali e nazionali

INSTALLAZIONE DELLA STAFFA DI SUPPORTO

- Il ventilatore a soffitto deve essere installato in modo tale che le estremità delle pale siano ad almeno 300 mm di distanza da pareti o oggetti adiacenti.
- Fissare la staffa di supporto a una struttura o una trave del soffitto in grado di sostenere un carico di almeno 36 kg con le due viti lunghe fornite. Assicurarsi che almeno 30 mm della vite siano inseriti nella struttura (Fig. 2).

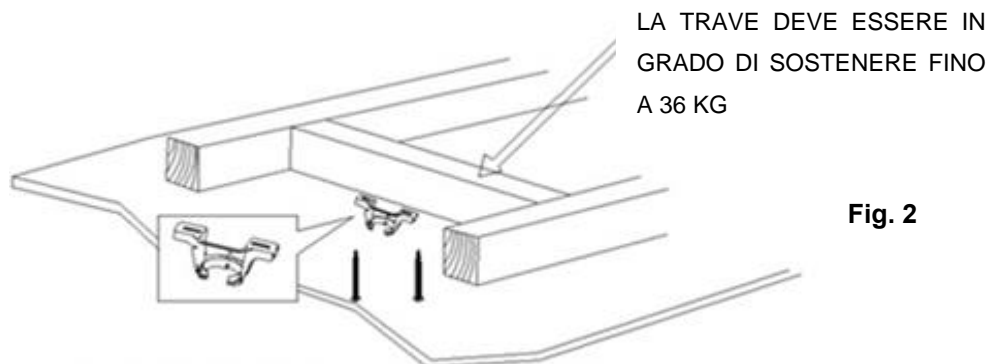


Fig. 2

NOTA: L'IMMAGINE È A SOLO SCOPO ILLUSTRATIVO E NON RAPPRESENTA LA STAFFA REALE.

NOTA: le viti di supporto fornite sono destinate esclusivamente a strutture in legno. Per strutture diverse dal legno, è **OBBLIGATORIO** usare viti di tipo appropriato. Assicurarsi che le viti utilizzate siano adatte alla superficie di installazione e all'ambiente circostante.

INSTALLAZIONE ANGOLATA

Questo sistema di montaggio consente di installare il ventilatore al soffitto con un angolo massimo di 7 gradi (Fig. 3).

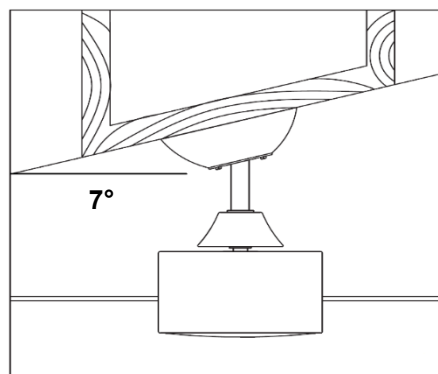


Fig. 3

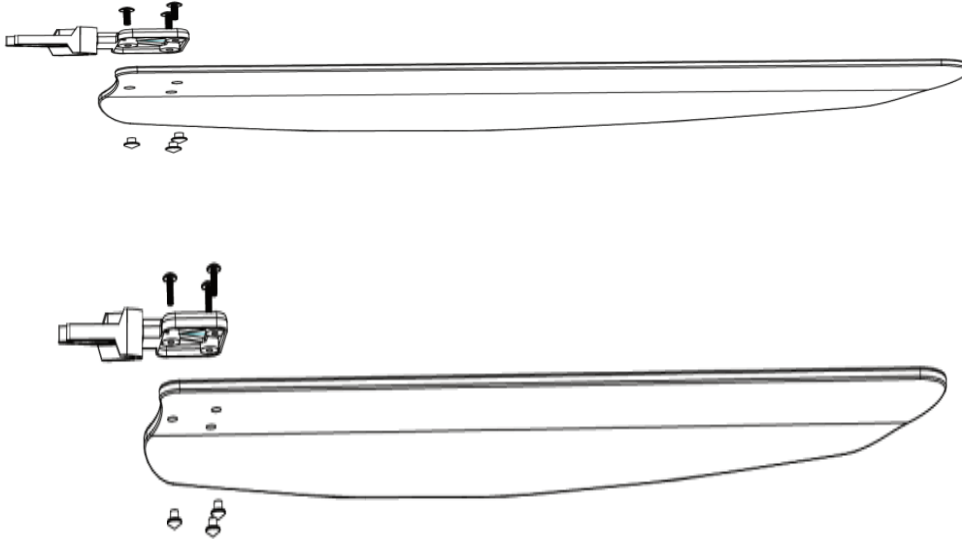


INSTALLAZIONE DELLE PALE (Fig. 4)

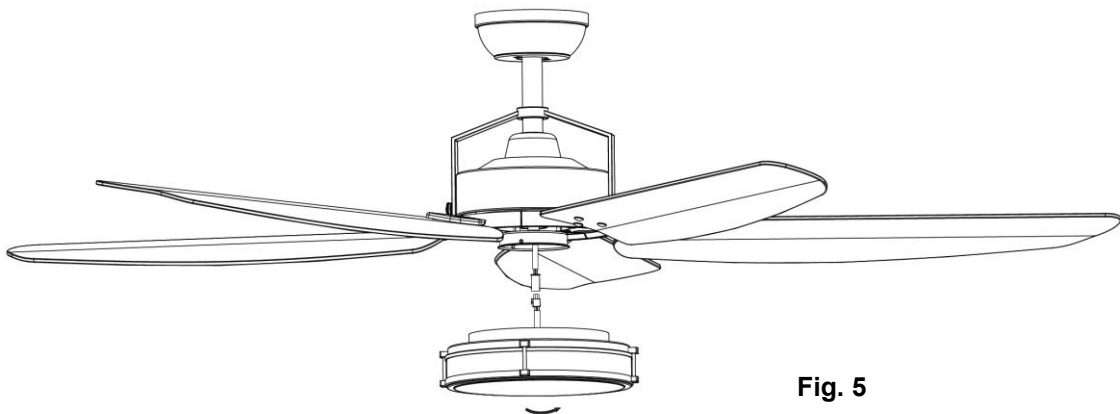
1. Fissare le pale alla staffa serrando le 3 viti ai dadi.
2. Fissare la staffa al gruppo ventilatore serrando le 2 viti.

Assicurarsi che tutte le viti siano serrate in modo uniforme per ridurre la possibilità di deformazioni o sbilanciamenti.
Fare attenzione a non serrarle eccessivamente per evitare di danneggiare le pale.

3. Ripetere l'operazione con le altre pale.

**Fig. 4****INSTALLAZIONE DEL KIT LUCE (Fig. 5)**

- **NOTA:** il kit luce deve essere installato da un elettricista professionista.
- Collegare i cavi del kit luce al ventilatore usando il connettore rapido.
- Fissare il kit luce al ventilatore e fissarlo ruotandolo in senso orario.

**Fig. 5**

INSTALLAZIONE DELLA LAMPADINA (Fig. 6)

- **NOTA:** nel kit luce è pre-installata una lampadina GX53. Se è necessario sostituire la lampadina, procedere come descritto di seguito.
- Rimuovere il paralume (C) allentando le 3 viti (A).
- Sostituire la lampadina GX53 (B) con una nuova. Non superare la potenza in ingresso massima.
- Fissare nuovamente il paralume (B) serrando le 3 viti (A).

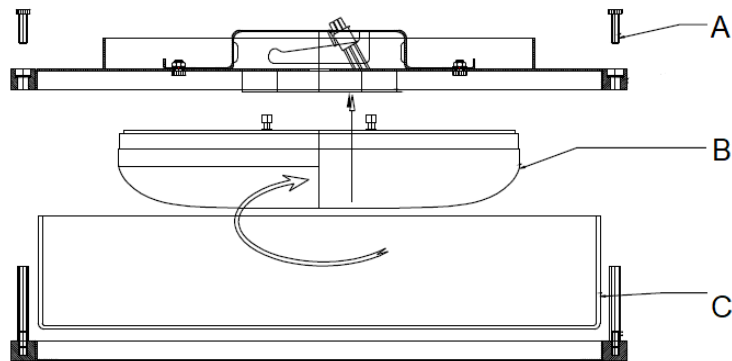


Fig. 6

FISSAGGIO DEL VENTILATORE

Sollevarlo sulla staffa di supporto. Assicurarsi che la fessura (A) del giunto sferico sia posizionata sul perno (B) della staffa di supporto (C), in modo tale da evitare che il ventilatore ruoti quando è in funzione (Fig. 7).

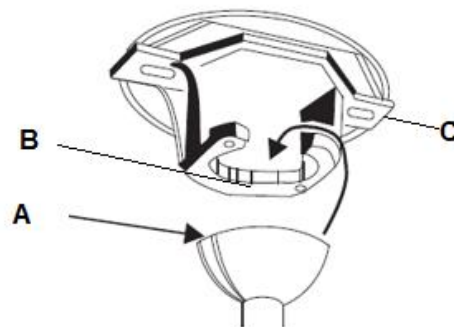


Fig. 7



SCHEMA DI CABLAGGIO**PREPARAZIONE E INSTALLAZIONE DEI CAVI ELETTRICI - SCHEMA DI DIAGRAMMA (FIG. 8)**

AVVERTENZA! PER LA PROPRIA SICUREZZA, TUTTI I COLLEGAMENTI ELETTRICI DEVONO ESSERE EFFETTUATI DA UN ELETTRICISTA PROFESSIONISTA.

NOTA: L'IMPIANTO ELETTRICO DEVE ESSERE PROTETTO DA UN INTERRUTTORE DIFFERENZIALE.

NOTA: SE SONO PRESENTI DUE O PIÙ VENTILATORI A SOFFITTO CC NELLO STESSO LUOGO, È NECESSARIO DOTARE CIASCUN VENTILATORE DI UN INTERRUTTORE DI ISOLAMENTO PER GARANTIRE UN CORRETTO ABBINAMENTO DEL TELECOMANDO CON IL RICEVITORE.

Nota: se si utilizza l'asta di prolunga, è necessaria la prolunga del kit luce (articolo 9, Fig. 1).

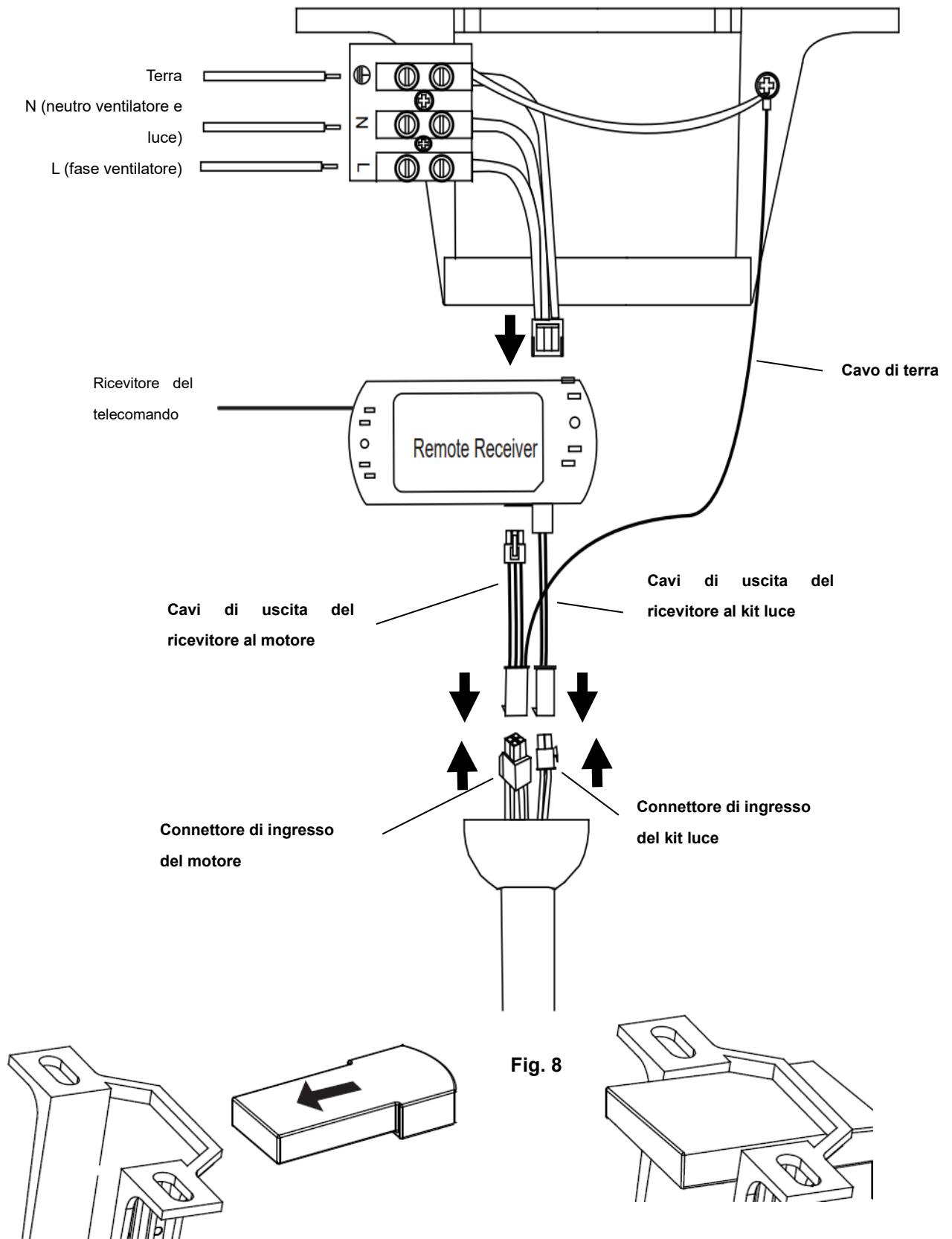
Dall'impianto elettrico alla morsettiera sulla staffa di supporto (Fig. 8)

1. Collegare il cavo di fase al terminale "L" della morsettiera sulla staffa di supporto.
2. Collegare il cavo di neutro al terminale "N" della morsettiera sulla staffa di supporto.
3. Collegare il cavo di terra al terminale di terra della morsettiera sulla staffa di supporto.

Dalla staffa di supporto al ricevitore e al motore (Fig. 8)

4. Collegare i cavi di alimentazione dalla staffa di supporto all'ingresso del ricevitore/motore.
 5. Collegare i cavi di uscita dal ricevitore/motore (dalla staffa di supporto con cavo di terra) all'uscita del ricevitore/motore (**Fig. 8**). Collegare i cavi di uscita del ricevitore/motore con cavo di terra (dalla staffa di supporto con cavo di terra) all'ingresso del motore del ventilatore (**Fig. 8**).
 6. Collegare i cavi di uscita del ricevitore/motore ai cavi di ingresso del kit luce.
- Inserire con attenzione il ricevitore del telecomando sopra il giunto sferico nello spazio rimanente all'interno della staffa di supporto. Fare attenzione a non danneggiare o allentare alcun cavo (**Fig. 8**).





This fan is suitable for indoor and alfresco areas where the fan is fully undercover with a minimum of 2 walls. This fan is not waterproof. When installed in an alfresco area, the ceiling fan must be positioned in a location protected from water, wind, dust and salt. Exposure to these elements will void the warranty. Mounting the fan in a situation where it is subject to water or moisture is dangerous.

TERMINE DELL'INSTALLAZIONE**INSTALLAZIONE DELLA CALOTTA (Fig. 9)**

1. Assicurarsi che il cavo di terra sia fissato saldamente e in modo corretto effettuando un test di continuità dal corpo metallico accessibile del ventilatore verso il terminale di terra sulla morsetteria nella staffa di supporto.
2. Allentare le 2 viti nella parte inferiore del supporto.
3. Fare scorrere la calotta sulla staffa di supporto e allineare le fessure sulla calotta con le viti sulla staffa di supporto. Ruotare la calotta finché non si blocca in posizione con la sezione stretta dei fori e fissarla serrando le due viti. Fare attenzione a non danneggiare il cablaggio realizzato in precedenza.

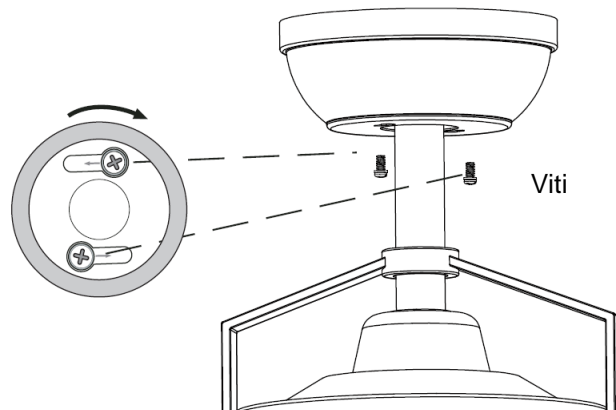


Fig. 9

INSTALLAZIONE DEL SUPPORTO PER TELECOMANDO (Fig. 10)

1. Fissare il supporto per telecomando a una parete adatta con le 2 viti (Fig. 10a).
2. Fare scorrere il telecomando all'interno del supporto (Fig. 10b).

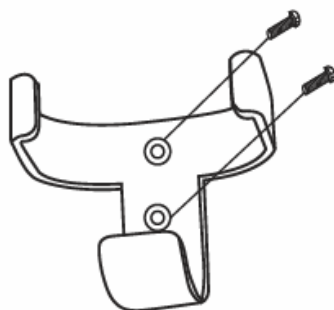
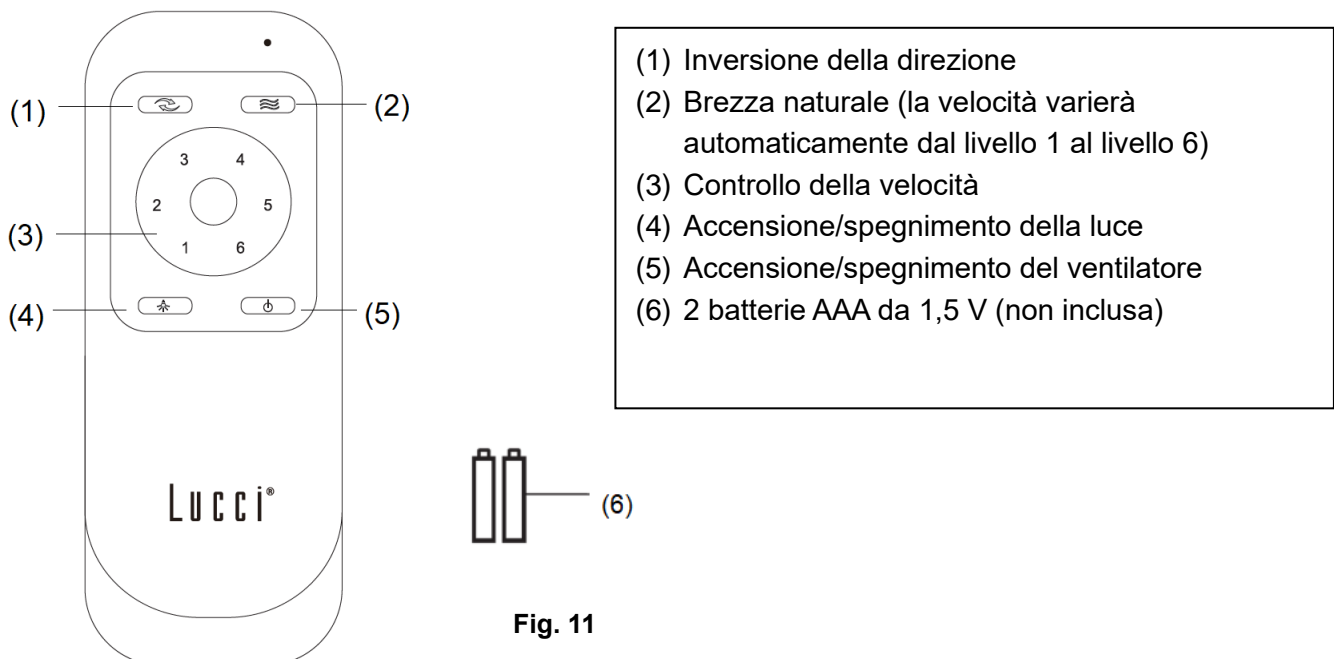


Fig. 10a



Fig. 10b



UTILIZZO DEL VENTILATORE**TELECOMANDO (Fig. 11)****Fig. 11****CONTROLLO DELLA FUNZIONE LUCE (Fig. 11)**


La lampada a LED GX53 dispone di un circuito varialuce a 3 fasi.

- Inizialmente, accendere la lampada a LED con il 100% di luminosità – premere una volta il pulsante Luce (4) sul telecomando.
 - Premere il pulsante Luce per spegnere e poi riaccendere entro 3 secondi per ridurre al 50% la luminosità.
 - Premere il pulsante Luce per spegnere e poi riaccendere entro 3 secondi per ridurre al 15% la luminosità.
- (Se l'accensione/spegnimento non viene eseguita entro 3 secondi, la lampada ritorna a una luminosità del 100%)

ABBINAMENTO DEL TELECOMANDO AL RICEVITORE – SE È PRESENTE UN SOLO VENTILATORE A SOFFITTO

NOTA: assicurarsi che l'impianto elettrico che alimenta il ventilatore sia protetto da un interruttore differenziale unipolare.

NOTA: assicurarsi che il ricevitore sia acceso prima di iniziare la procedura di abbinamento.

- Disattivare l'alimentazione del ventilatore.
- Inserire le batterie nel telecomando. Assicurarsi che la polarità della batteria sia corretta.
- Attivare l'alimentazione del ricevitore.
- Tenere premuto il pulsante “” sul telecomando per 10 secondi entro 30 secondi dall'accensione del ricevitore del ventilatore.



- Il ricevitore emetterà un segnale acustico, a indicare che l'abbinamento è avvenuto correttamente.
- Accendere il ventilatore e modificare la velocità usando il telecomando per verificare che l'abbinamento sia avvenuto correttamente.


ABBINAMENTO DEL TELECOMANDO AL RICEVITORE – SE SONO PRESENTI DUE O PIÙ VENTILATORI A SOFFITTO

Se due o più ventilatori a soffitto sono installati in prossimità, il telecomando e il ricevitore di ciascun ventilatore devono essere abbinati individualmente, affinché il funzionamento di un ventilatore non interferisca con l'altro.


NOTA: assicurarsi che l'impianto elettrico che alimenta ciascun ventilatore sia protetto da un interruttore differenziale unipolare.

NOTA: assicurarsi che il ricevitore sia **acceso** prima di iniziare la procedura di abbinamento.

Abbinamento tra telecomando/ricevitore del ventilatore 1

- Disattivare l'alimentazione di tutti i ventilatori.
- Inserire le batterie nel telecomando. Assicurarsi che la polarità della batteria sia corretta.
- Attivare l'alimentazione del ricevitore 1. Mantenere disattivata l'alimentazione del ricevitore 2. (Ogni ventilatore deve essere dotato del proprio interruttore di isolamento, affinché sia acceso esclusivamente il ventilatore da abbinare al telecomando).
- Tenere premuto il pulsante “” sul **trasmettitore 1** per 10 secondi entro 30 secondi dall'accensione del ricevitore del ventilatore 1.
- Il ricevitore emetterà un segnale acustico, a indicare che l'abbinamento è avvenuto correttamente.
- Accendere il ventilatore 1 e modificare la velocità usando il trasmettitore per verificare che l'abbinamento sia avvenuto correttamente.

Abbinamento tra telecomando/ricevitore del ventilatore 2

- Disattivare l'alimentazione di tutti i ventilatori.
- Inserire le batterie nel telecomando. Assicurarsi che la polarità della batteria sia corretta.
- Attivare l'alimentazione del ricevitore 2. Mantenere disattivata l'alimentazione del ricevitore 1. (Ogni ventilatore deve essere dotato del proprio interruttore di isolamento, affinché sia acceso esclusivamente il ventilatore da abbinare al telecomando).
- Tenere premuto il pulsante “” sul **trasmettitore 2** per 10 secondi entro 30 secondi dall'accensione del ricevitore del ventilatore 2.
- Il ricevitore emetterà un segnale acustico, a indicare che l'abbinamento è avvenuto correttamente.
- Accendere il ventilatore 2 e modificare la velocità usando il trasmettitore per verificare che l'abbinamento sia avvenuto correttamente.



RIPRISTINO DELL'ABBINAMENTO TRA IL RICEVITORE E IL TELECOMANDO DEL VENTILATORE

Qualora si verifichi la perdita di controllo tra il telecomando e il ricevitore dopo l'installazione o durante l'uso, l'abbinamento può essere ripristinato. Di seguito, sono indicati i problemi e i metodi per ripristinare l'abbinamento tra il telecomando e il ricevitore del ventilatore a soffitto CC.

Problema:

- Perdita di controllo: il ventilatore funzione solo ad alta velocità dopo l'installazione
- Perdita di controllo: non è possibile attivare la funzione di inversione della rotazione dopo l'installazione.
- Perdita di controllo: il telecomando non riesce a comunicare con il ricevitore

Soluzione:

- Spegnerne l'alimentazione principale del ventilatore a soffitto.
- Accendere l'alimentazione principale del ventilatore a soffitto. Seguire la procedura descritta alla sezione "Abbinamento del telecomando al ricevitore" per risolvere il problema.
- Accendere il ventilatore e modificare la velocità per verificare che funzioni correttamente.

DOPO L'INSTALLAZIONE

NOTA: i ventilatori a soffitto tendono a muoversi durante il funzionamento perché sono fissati a una rondella in gomma. Se il ventilatore è fissato rigidamente al soffitto vibrerà in modo eccessivo. Un movimento di pochi centimetri è normale e NON è sintomo di alcun malfunzionamento.

PER RIDURRE LE VIBRAZIONI DEL VENTILATORE: controllare che le tutte le viti che fissano la staffa di supporto e l'asta siano avvitate saldamente.

KIT DI BILANCIAMENTO: il kit di bilanciamento incluso serve per bilanciare il ventilatore a soffitto durante l'installazione iniziale. Consultare le istruzioni per l'uso del kit di bilanciamento. Il kit di bilanciamento può essere usato per bilanciare nuovamente il ventilatore a soffitto in futuro. Conservare il kit di bilanciamento dopo l'installazione per uso futuro.

RUMOROSITÀ

Quando l'ambiente è silenzioso (in particolare durante le ore notturne), il ventilatore potrebbe produrre occasionalmente dei leggeri rumori. Leggere fluttuazioni dell'alimentazione elettrica e segnali elettrici di frequenza sovrapposti per il controllo dell'acqua calda nelle fasce orarie ridotte possono causare variazioni nel rumore del motore del ventilatore. È un fenomeno normale. La maggior parte dei rumori associati a un nuovo ventilatore scomparirà entro un periodo di assestamento di 24 ore.

La garanzia del produttore copre difetti reali e NON disturbi minori come il rumore del motore in funzione; tutti i motori elettrici producono rumore in una certa misura.

PULIZIA E MANUTENZIONE

NOTA: DISATTIVARE sempre l'alimentazione elettrica prima di effettuare le operazioni di pulizia e manutenzione sul ventilatore.

- La pulizia periodica del ventilatore ogni 6 mesi è l'unica operazione di manutenzione necessaria. Utilizzare una spazzola morbida o un panno privo di pelucchi per evitare di graffiare la finitura. Disattivare l'alimentazione elettrica



prima della pulizia.

- Non immergere il ventilatore in acqua o altri liquidi per evitare danni al motore o alle pale e il rischio di scossa elettrica.
- Assicurarsi che il ventilatore non entri a contatto con detersivi o solventi organici.
- Per pulire le pale del ventilatore, usare esclusivamente un panno pulito e umido **SENZA** detersivi o solventi organici.
- Il motore contiene un cuscinetto permanentemente lubrificato, quindi non è necessario aggiungere lubrificante.

AVVERTENZE DI SICUREZZA RELATIVE ALLE BATTERIE

- **AVVERTENZA!** Conservare le batterie nuove e scariche fuori dalla portata dei bambini.
- **ATTENZIONE** – Non ingerire la batteria, rischio di ustioni chimiche.
- Utilizzare esclusivamente 2 batterie AAA per alimentare il telecomando di questo ventilatore.
- Inserire le batterie rispettando la corretta polarità.
- Per evitare l'attivazione involontaria del ventilatore durante l'inserimento o la sostituzione delle batterie, il ventilatore deve essere scollegato dalla rete elettrica.
- Rimuovere le batterie dal prodotto in previsione di un lungo periodo di inutilizzo.
- Rimuovere le batterie dal telecomando prima di smaltirlo.
- Smaltire le batterie scariche immediatamente e in modo sicuro (affinché non possano essere usate dai bambini). Le batterie scariche possono essere pericolose. Contattare le autorità locali per informazioni sullo smaltimento sicuro delle batterie.
- Ispezionare regolarmente il prodotto e assicurarsi che il coperchio del vano batterie sia chiuso saldamente. Se il vano batterie non si chiude saldamente, non usare il prodotto e tenerlo fuori dalla portata dei bambini.
- Se si teme che le batterie siano state ingerite o siano penetrate all'interno del corpo, contattare immediatamente un medico.

SPECIFICHE TECNICHE

Ventilatore	Ventilatore da 62" - Louisville
Modello di ventilatore / SKU#	LD-62" LOU / SKU# 213175, 213176
Tensione nominale	220-240 V~ 50 Hz
Potenza nominale (motore)	42 W
Fonte luminosa	Questo prodotto contiene una sorgente luminosa di classe di efficienza energetica E
Potenza nominale (lampada)	SKU# 121357: GX53, 18W, 3000K, 3 step-dim (incluso) Compatibile anche con SKU# 121358: GX53, 18W, 4000K, 3 step-dim (non incluso)
Batteria del telecomando	2 batterie AAA (non incluso)
Peso	8,3 kg
Dimensioni della calotta	Altezza: 58 mm Diametro: 150 mm

INFORMAZIONI SULLA GARANZIA

IN AUSTRALIA / NUOVA ZELANDA – Consultare la DICHIARAZIONE DI GARANZIA allegata.

IN EUROPA – Gli acquirenti europei possono contattare il punto vendita per eventuali richieste di intervento in garanzia.



This fan is suitable for indoor and alfresco areas where the fan is fully undercover with a minimum of 2 walls. This fan is not waterproof. When installed in an alfresco area, the ceiling fan must be positioned in a location protected from water, wind, dust and salt. Exposure to these elements will void the warranty. Mounting the fan in a situation where it is subject to water or moisture is dangerous.

NL**BEDANKT VOOR UW AANKOOP**

Bedankt voor de aankoop van de nieuwste energiebesparende plafondventilator. Deze ventilator werkt op gelijkstroom wat het voordeel heeft dat het apparaat bijzonder energiezuinig is met behoud van een hoog luchtvolume en een geruisloze werking.

Energiezuinig - De DC-motor is de nieuwste technologie op het gebied van ventilatorontwerp. De zeer efficiënte motor bespaart tot 65% energie in vergelijking met plafondventilatoren met traditionele wisselstroommotoren.

Stille werking - Deze DC-ventilatormotor werkt op een gestabiliseerde stroom die het motorgeluid efficiënt vermindert.


Lage bedrijfstemperatuur - De gelijkstroomvoeding zorgt ervoor dat de bedrijfstemperatuur van de motor niet hoger wordt dan 50°C. Dit resulteert in een veel koelere motor dan een standaard wisselstroomventilator en verhoogt bovendien de levensduur van de motor.

Afstandsbediening met 6 snelheden - Gewone AC-plafondventilators worden gewoonlijk geleverd met slechts 3 snelheden. Deze DC-ventilator heeft 6 snelheden en een afstandsbediening voor een grotere keuze aan comfort.

VEILIGHEIDSMATREGELEN

1. In Europa: Dit apparaat kan worden gebruikt door kinderen vanaf 8 jaar en personen met verminderde fysieke, zintuiglijke of mentale vermogens of een gebrek aan ervaring en kennis, indien zij onder toezicht staan of instructies hebben gekregen over het veilige gebruik van het apparaat en als zij de gevaren ervan begrijpen. Reiniging en onderhoud mag zonder toezicht niet door kinderen worden uitgevoerd.
2. In Australië: Dit apparaat is niet bedoeld om te worden gebruikt door personen (inclusief kinderen) met verminderde fysieke, zintuiglijke of mentale vermogens of een gebrek aan ervaring en kennis, tenzij zij onder toezicht staan of instructie hebben gekregen over het gebruik van het apparaat.
3. Kinderen moeten onder toezicht staan om er zeker van te zijn dat ze niet met het apparaat spelen.
4. Zorg dat de ventilator wordt aangesloten op een schakelaar waarbij alle polen worden onderbroken en volg de plaatselijke bedradingsvoorschriften.



5.  Gooi elektrische apparaten niet weg als ongesorteerd huishoudelijk afval. Maak gebruik van aparte inzamelingsfaciliteiten voor elektrische apparatuur. Neem contact op met uw gemeente voor informatie over de beschikbare inzamelingsystemen. Als elektrische apparaten op stortplaatsen terechtkomen, kunnen gevaarlijke stoffen in het grondwater lekken en in de voedselketen terechtkomen, wat schadelijk is voor uw gezondheid en welzijn.
6. De constructie waarop de ventilator wordt gemonteerd moet een gewicht van 28 kg kunnen dragen.
7. De ventilator moet zo worden gemonteerd dat de bladen zich minstens 2,3 m boven de vloer (Europa) of minstens 2,1 m boven de vloer (Australië) bevinden.

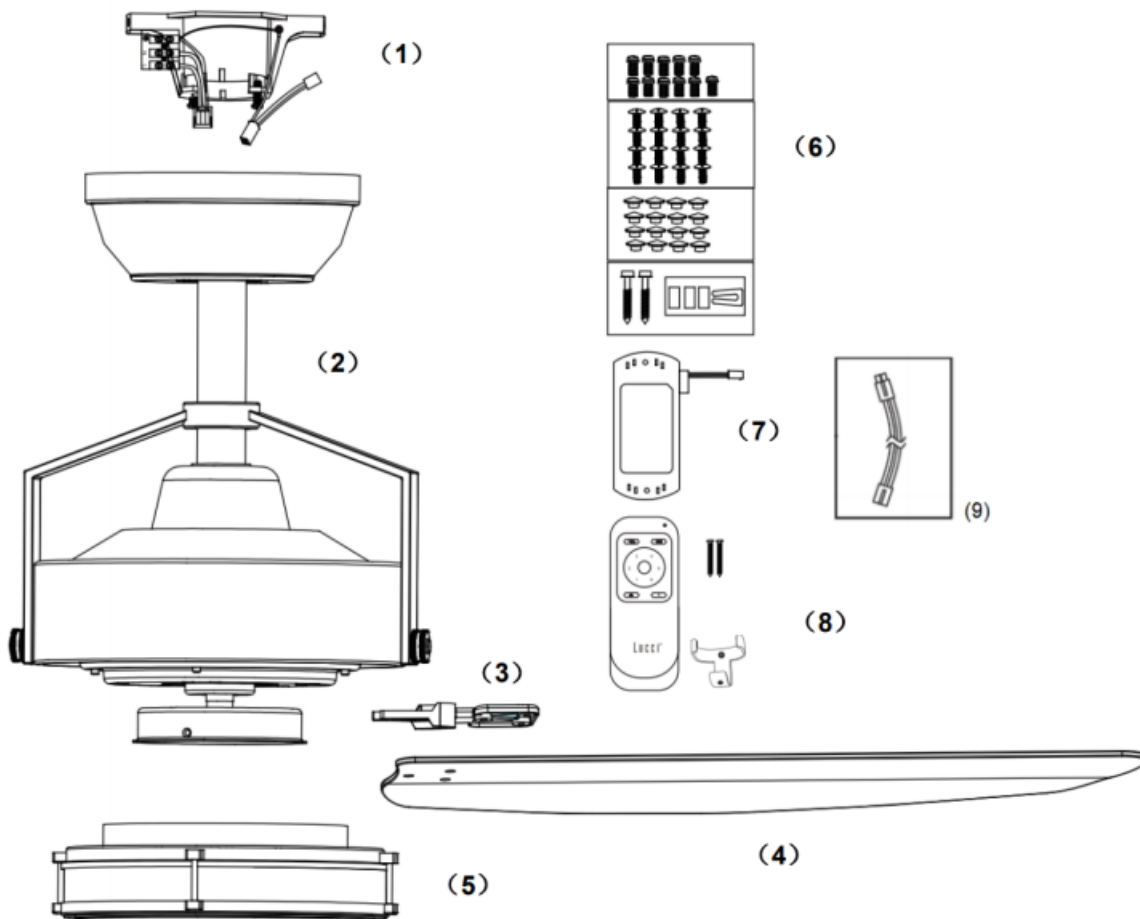


8. Deze ventilator is geschikt voor binnen- en buitenruimtes waar de ventilator niet blootgesteld is aan regen en vocht en in een ruimte met minimaal 2 wanden. Deze ventilator is niet waterdicht. Wanneer deze plafondventilator buitenshuis (terras) wordt geïnstalleerd, kies dan voor een locatie die tegen water, wind en stof is beschermd. Blootstelling aan deze elementen zal de garantie ongeldig maken. De ventilator op een plaats monteren waar deze aan water of vocht onderhevig is, is gevaarlijk en kan het risico op schade, letsel of elektrische schokken vergroten en zal de garantie ongeldig maken.
9. Het apparaat moet worden gemonteerd en geïnstalleerd door een erkend elektricien.
10. **WAARSCHUWING:** Bij ongewone trillingen of oscillerende bewegingen moet het gebruik van de plafondventilator onmiddellijk worden gestaakt en moet contact worden opgenomen met de fabrikant, een servicetechnicus of een daartoe bevoegde persoon.
11. De vervanging van onderdelen van de veiligheidsophanging moet worden uitgevoerd door de fabrikant, een servicetechnicus of een daartoe bevoegde persoon.
12. De bevestigingsmiddelen voor het plafond, zoals haken of andere onderdelen, moeten voldoende stevig worden bevestigd om 4 maal het gewicht van de plafondventilator te kunnen weerstaan; de montage van het ophangstelsel moet worden uitgevoerd door de fabrikant, een servicetechnicus of een daartoe bevoegde persoon.



ONDERDELENLIJST

- Pak de plafondventilator voorzichtig uit. Verwijder alle onderdelen en hardware.
- Leg alle onderdelen op een vlakke ondergrond en controleer of alle noodzakelijke onderdelen aanwezig zijn. Als er onderdelen ontbreken, stuur het volledige product terug naar de plaats van aankoop voor inspectie of vervanging.
- Controleer of de plafondventilator tijdens het transport is beschadigd. Bedien/installeer geen product dat op welke wijze dan ook beschadigd lijkt te zijn. Stuur het beschadigde product terug naar de plaats van aankoop voor inspectie of vervanging.
- Bestudeer alle onderdelen. U zou het volgende moeten hebben:



Afb. 1

1	Montagebeugel x 1	7	Afstandsbedieningsontvanger x 1
2	Ventilatoreenheid x 1	8	Afstandsbediening, houder x 1 set
3	Ventilatorbladbeugel x5	9	Verlengkabel voor lichtmodule x 1
4	Ventilatorblad x5		
5	Lichtset x 1 (18W GX53-lamp is reeds in de lichtset geïnstalleerd)		
6	Montageschroeven, ventilatorbladschroeven en balanceringsset x 1 set		



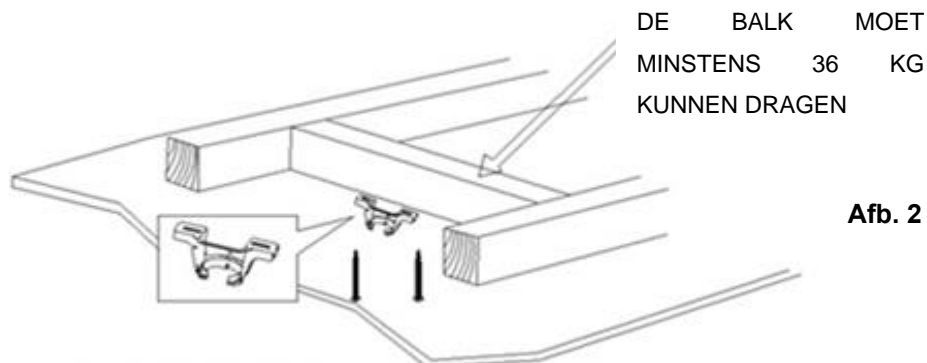
This fan is suitable for indoor and alfresco areas where the fan is fully undercover with a minimum of 2 walls. This fan is not waterproof. When installed in an alfresco area, the ceiling fan must be positioned in a location protected from water, wind, dust and salt. Exposure to these elements will void the warranty. Mounting the fan in a situation where it is subject to water or moisture is dangerous.

DE VENTILATOR INSTALLEREN**VEREIST GEREEDSCHAP:**

- Kruiskopschroevendraaier / platte schroevendraaier
- Tang
- Verstelbare moersleutel
- Ladder
- Zijsnijtang
- Bedrading, voedingskabel zoals vereist door de lokale en nationale bedradingsnormen en voorschriften

DE MONTAGEBEUGEL INSTALLEREN

- De plafondventilator moet zodanig worden geïnstalleerd dat het uiteinde van de bladen minstens 300 mm verwijderd is van het dichtstbijzijnde object of de muur.
- Monteer de ophangbeugel met twee lange meegeleverde schroeven aan een plafondbalk of een stevig punt aan het plafond dat minstens 36 kg kan dragen. Zorg ervoor dat ten minste 30 mm van de schroef in de plafondbalk of in het plafond wordt gedraaid. (Afb. 2)

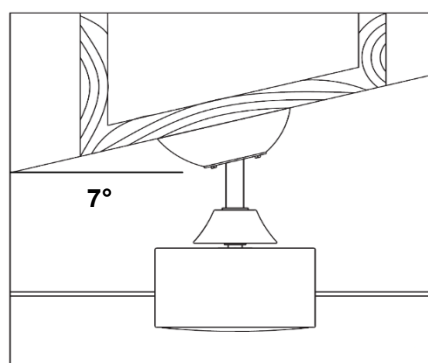
**Afb. 2**

OPMERKING: DEZE AFBEELDING DIENT ALLEEN TER REFERENTIE,
HET IS GEEN WERKELIJKE VOORSTELLING VAN DE BEUGEL.

OPMERKING: De meegeleverde beugelschroeven zijn alleen voor gebruik met houten constructies. Voor andere constructies dan hout moet het juiste schroeftype en eventueel pluggen worden gebruikt. Controleer of de gebruikte schroeven geschikt zijn voor het montageoppervlak.

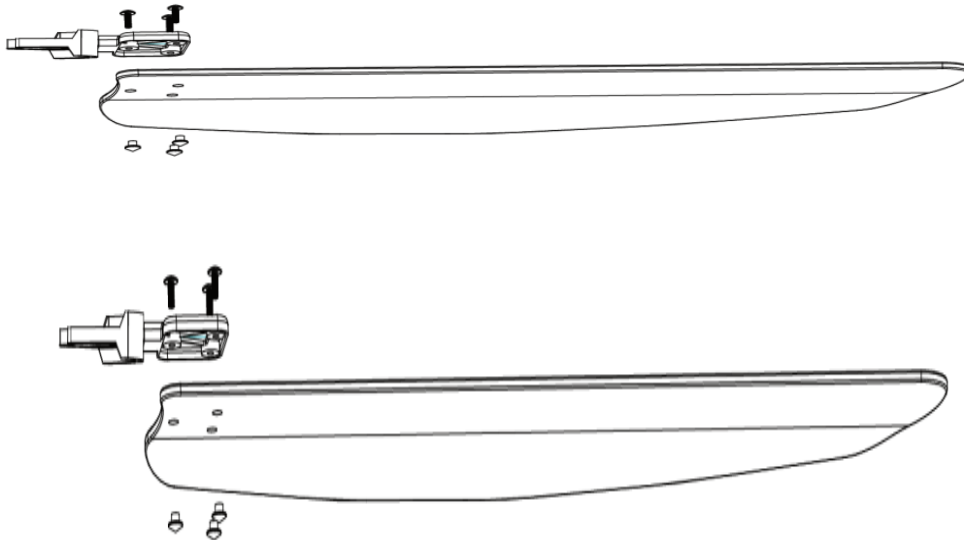
PLAATSING ONDER EEN HOEK

Dit ventilatorophangstelsel ondersteunt een plaatsing onder een hoek van maximaal 7 graden. (Afb. 3)

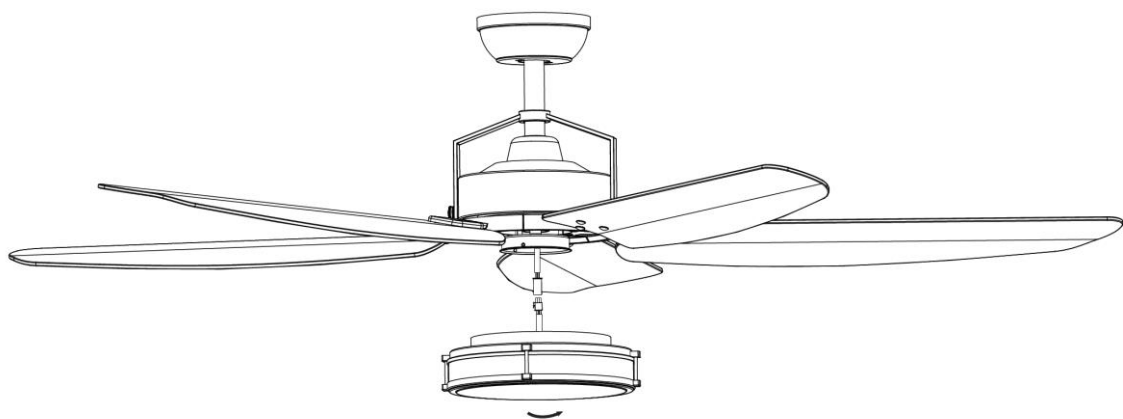
**Afb. 3**

INSTALLATIE VAN DE BLADEN (afb. 4)

1. Bevestig het blad aan de ventilatormotor met de 3 bladschroeven en ringen.
2. Bevestig het blad aan de ventilatormotor met de 2 bladschroeven en ringen.
Zorg dat de schroeven gelijkmatig zijn vastgedraaid om de kans op vervorming of niet in evenwicht te beperken.
Let erop dat u de schroeven niet te vast draait, omdat dit de bladen kan beschadigen
3. Herhaal dit voor de andere bladen.

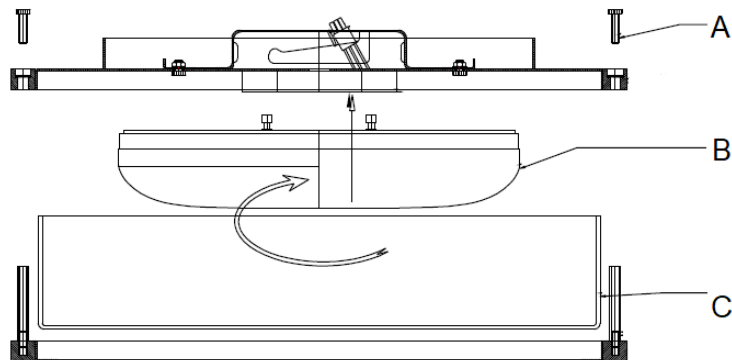
**Afb. 4****DE LICHTMODULE INSTALLEREN (afb. 5)**

- **OPMERKING:** De lichtmodule moet worden geïnstalleerd door een erkend elektricien.
- Sluit de draden van de lichtset via de snelkoppeling aan op de ventilatoreenheid.
- Installeer de lichtset op de ventilatoreenheid en zet deze vervolgens vast door deze met de klok mee te draaien.

**Afb. 5**

INSTALLATIE VAN DE LAMP (afb. 6)

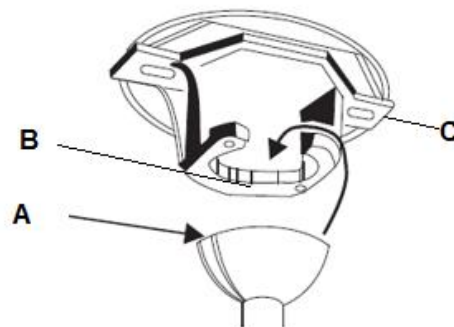
- **OPMERKING:** De GX53-lamp is reeds in de lichtset geïnstalleerd. Volg onderstaande procedure als de lamp aan vervanging toe is.
- Verwijder de lampenkap (C) door de 3 schroeven (A) los te draaien.
- Vervang de GX53-lamp (B) door een nieuwe. Zorg dat u het maximale vermogen niet overschrijdt.
- Installeer de lampenkap (C) opnieuw op de lichtset (A) en zet het vast door de 3 schroeven (A) vast te draaien.



Afb. 6

DE VENTILATOR OPHANGEN

Plaats de ventilatoreenheid op de montagebeugel. Zorg ervoor dat de gleuf (A) van de ophangkogel op de pen (B) van de montagebeugel (C) is geplaatst om te voorkomen dat de ventilator tijdens het gebruik tegendraait. (Afb. 7)



Afb. 7



ELEKTRISCH BEDRADINGSSHEMA VAN DE VENTILATOR**DE ELEKTRISCHE BEDRADING VOORBEREIDEN --- BEDRADINGSSHEMA (AFB. 8)**

WAARSCHUWING: VOOR UW VEILIGHEID MOETEN ALLE ELEKTRISCHE AANSLUITINGEN WORDEN UITGEVOERD DOOR EEN ERKEND ELEKTRICIEN.

OPMERKING: IN DE VASTE BEDRADING MOET EEN MEERPOLIGE SCHEIDINGSSCHAKELAAR WORDEN OPGENOMEN.

OPMERKING: ALS ER TWEE OF MEER GELIJKSTROOM-PLAFONDVENTILATORS OP ÉÉN LOCATIE ZIJN GEÏNSTALLEERD, IS EEN SCHEIDINGSSCHAKELAAR VEREIST VOOR ELKE PLAFONDVENTILATOR. DIT IS NODIG BIJ HET PROGRAMMEREN VAN DE AFSTANDSBEDIENING EN DE ONTVANGER.

Opmerking: Als een onderstangverlengstuk wordt gebruikt, is de verlengkabel voor lichtmodule (item 9 van afb.1) vereist.

Van netvoeding tot montagebeugel-klemmenblok: (Afb. 8)

1. Sluit de fasedraad aan op de "L"-klem van het klemmenblok op de montagebeugel.
2. Sluit de neutrale draad aan op de "N"-klem van het klemmenblok op de montagebeugel.
3. Sluit de aarddraad aan op de aardeklem van het klemmenblok op de montagebeugel.

Van montagebeugel tot ontvanger en motor: (Afb. 8)

4. Sluit de voedingsbedrading van de montagebeugel aan op de ingang van de DC-motorontvanger.
 5. Sluit de uitgangsdrazen van de DC-motorontvanger (vanaf de montagebeugel met de aarddraad) aan op de uitgang van de DC-motorontvanger (**afb. 8**). Sluit de uitgangsdrazen van de DC-motorontvanger met de aarddraad (vanaf de montagebeugel met de aarddraad) aan op de ingang van de ventilatormotor (**afb. 8**)
 6. Sluit de uitgangsdrazen van de DC-motorontvanger aan op de ingangsdrazen van de lichtset van de ventilator.
- Breng de afstandsbedieningsontvanger voorzichtig boven de ophangkogel in de daarvoor voorziene ruimte in de montagebeugel aan. Zorg dat de bedrading niet wordt beschadigd of los komt. (Afb. 8).



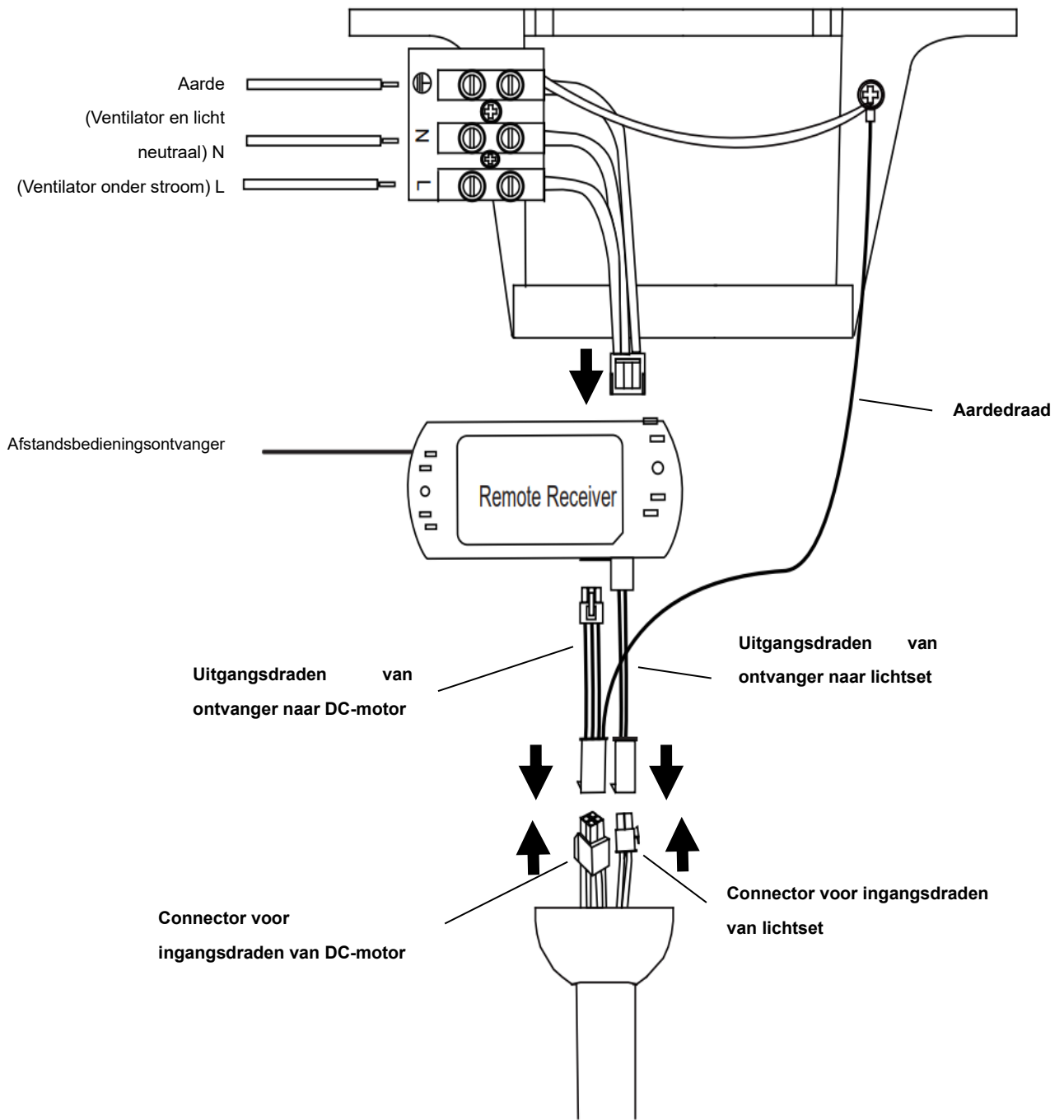
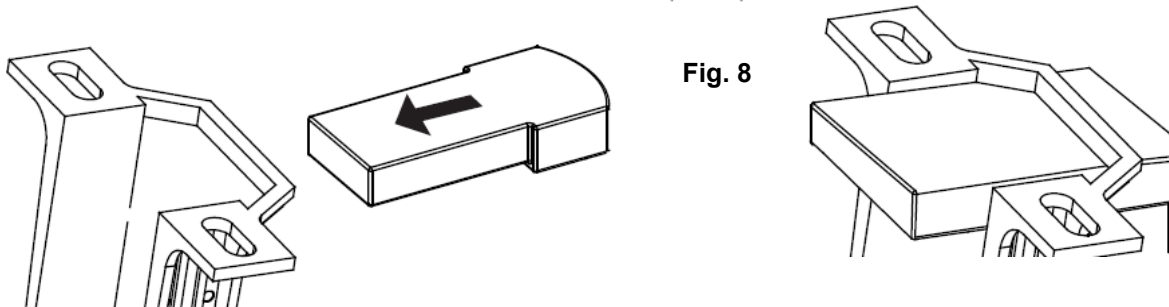


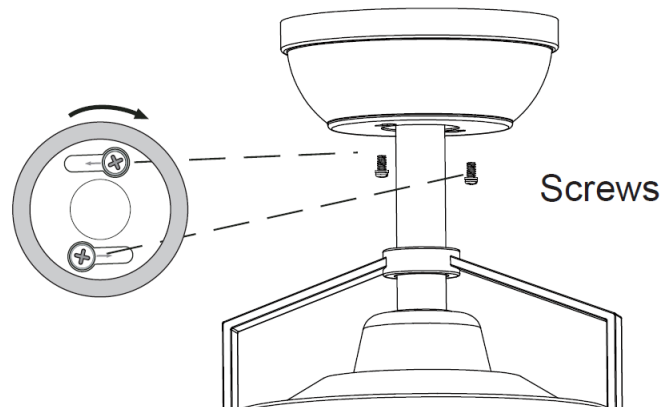
Fig. 8



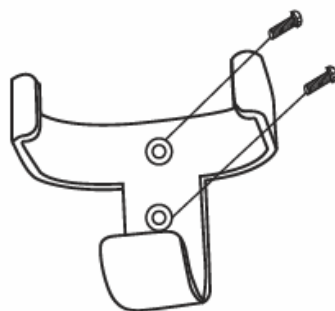
This fan is suitable for indoor and alfresco areas where the fan is fully undercover with a minimum of 2 walls. This fan is not waterproof. When installed in an alfresco area, the ceiling fan must be positioned in a location protected from water, wind, dust and salt. Exposure to these elements will void the warranty. Mounting the fan in a situation where it is subject to water or moisture is dangerous.

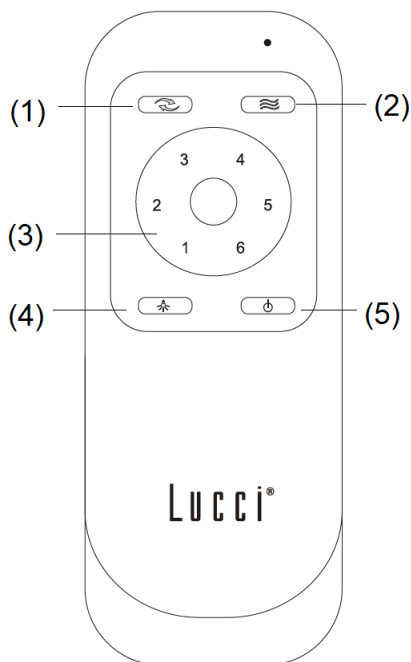
DE INSTALLATIE VOLTOOIEN**INSTALLATIE VAN DE OVERKAPPING (afb. 9)**

1. Zorg ervoor dat de aardebedrading veilig en correct is, door een aardingscontinuïteitstest uit te voeren vanaf de metalen behuizing van de ventilator tot aan de aardklem op het aansluitblok van de montagebeugel.
2. Draai de 2 schroeven aan de onderkant van de montagebeugel los.
3. Schuif de overkapping tot aan de montagebeugel en lijn de gaten op de overkapping uit met de schroeven op de montagebeugel. Draai de overkapping tot deze vastklikt met het smalle gedeelte van de gaten en zet deze vast door de twee schroeven aan te draaien. Vermijd beschadiging van de eerder voorbereide elektrische bedrading.

**Afb. 9****DE HOUDER VOOR DE AFSTANDSBEDIENING INSTALLEREN (afb. 10)**

1. Zoek een muur of oppervlak om de houder voor de afstandsbevestiging aan vast te maken met de 2 schroeven. (Afb. 10a)
2. Schuif de afstandsbediening in de houder. (Afb. 10b)

**Afb. 10a****Afb. 10b**

GEBRUIK VAN DE PLAFONDVENTILATOR**AFSTANDBEDIENING (Afb.11)**

- | | |
|-----|----------------------------------------------------------------------------------------|
| (1) | Achterwaartse regeling |
| (2) | Natuurlijke wind (Het ventilatoroerental schakelt automatisch tussen de snelheden 1-6) |
| (3) | Snelheidsregeling |
| (4) | Licht aan/uit |
| (5) | Ventilator aan/uit |
| (6) | 1,5V AAA-batterij X 2st (niet inbegrepen) |

**Afb. 11****LICHTREGELING (afb. 11)**

De GX53-ledlamp heeft een geïntegreerd 3-staps dimcircuit.

- Zet de ledlamp initieel AAN met 100% helderheid – Druk eenmaal op de Lichtknop (4) van de afstandsbediening.
- Druk op de Lichtknop om het licht UIT en opnieuw AAN te zetten, binnen 3 seconden om tot 50% helderheid te dimmen.
- Druk op de Lichtknop om het licht UIT en opnieuw AAN te zetten, binnen 3 seconden om tot 15% helderheid te dimmen. (Als het uit- en aanzetten van de lamp niet binnen 3 seconden plaatsvindt, wordt de lamp opnieuw op een helderheid van 100% ingesteld)

KOPPELEN AFSTANDBEDIENING EN ONTVANGER - WANNEER 1 DC PLAFONDVENTILATOR OP ÉÉN PLAATS IS GEÏNSTALLEERD

OPMERKING: Zorg ervoor dat u een enkelpolige schakelaar hebt geïnstalleerd in de vaste bedrading van de ventilator.

OPMERKING: Zorg ervoor dat de stroomtoevoer naar de ontvanger AAN is voordat u de afstandsbediening aan de ontvanger koppelt.

- Schakel de netvoeding van de ventilator uit met een aan/uit-wandschakelaar.
- Plaats de batterijen in de afstandsbediening. Zorg ervoor dat de polariteit van de batterij correct is.
- Schakel de stroomtoevoer naar de ontvanger in.
- Druk en houd de "⏻" knop op de afstandsbediening 10 seconden ingedrukt binnen 30 seconden na het inschakelen van de ontvanger van de plafondventilator.
- Er zal een piepsignaal uit de ontvanger klinken om aan te geven dat het koppelingsproces succesvol is.



- Schakel de plafondventilator in en wijzig de snelheid met behulp van de afstandsbediening om de juiste werking en koppeling te controleren.

KOPPELEN AFSTANDBEDIENING EN ONTVANGER - WANNEER MINSTENS 2 DC-PLAFONDVENTILATORS OP ÉÉN PLAATS ZIJN GEÏNSTALLEERD

Wanneer twee of meer plafondventilators in de buurt van elkaar zijn geplaatst, kunt u de afstandsbediening/ontvanger voor elke ventilator koppelen, zodat de werking van de ene ventilator geen invloed heeft op de werking van de andere ventilator.

OPMERKING: Zorg ervoor dat u een enkelpolige schakelaar hebt geïnstalleerd in de vaste bedrading van elke ventilator.

OPMERKING: Zorg ervoor dat de stroomtoevoer naar de ontvanger **AAN** is voordat u de afstandsbediening aan de ontvanger koppelt.

Afstandsbediening/ontvanger voor plafondventilator 1:

- Schakel de netvoeding van de ontvangers van beide plafondventilators 1 en 2 uit.
- Plaats de batterijen in de afstandsbediening. Zorg ervoor dat de polariteit van de batterij correct is.
- Schakel de stroomtoevoer naar ontvanger 1 in. Houd de stroom naar ontvanger 2 uitgeschakeld. (Elke plafondventilator moet een eigen scheidingsschakelaar hebben, zodat alleen de plafondventilator die aan de zender moet worden gekoppeld, aan staat).
- Druk en houd de "⏻" knop op de **zender 1** 10 seconden ingedrukt binnen 30 seconden na het inschakelen van de ontvanger van plafondventilator 1.
- Er zal een piepsignaal uit de ontvanger klinken om aan te geven dat het koppelingsproces succesvol is.
- Schakel de plafondventilator 1 in en wijzig de snelheid met behulp van de afstandsbediening om op een juiste werking en koppeling te controleren.

Afstandsbediening/ontvanger voor plafondventilator 2:

- Schakel de netvoeding van de ontvangers van beide plafondventilators 1 en 2 uit.
- Plaats de batterijen in de afstandsbediening. Zorg ervoor dat de polariteit van de batterij correct is.
- Schakel de stroomtoevoer naar ontvanger 2 in. Houd de stroom naar ontvanger 1 uitgeschakeld. (Elke plafondventilator moet een eigen scheidingsschakelaar hebben, zodat alleen de plafondventilator die aan de zender moet worden gekoppeld, aan staat).
- Druk en houd de "⏻" knop op de **zender 2** 10 seconden ingedrukt binnen 30 seconden na het inschakelen van de ontvanger van plafondventilator 2.
- Er zal een piepsignaal uit de ontvanger klinken om aan te geven dat het koppelingsproces succesvol is.
- Schakel de plafondventilator 2 in en wijzig de snelheid met behulp van de afstandsbediening om de juiste werking en koppeling te controleren.



DE ONTVANGER VAN DE VENTILATOR OPNIEUW AAN DE AFSTANDBEDIENING KOPPELEN

Als de verbinding tussen de afstandsbediening en de ontvanger tijdens de installatie of werking wordt verbroken, moet de koppeling tussen de afstandsbediening en de ontvanger opnieuw worden gemaakt. Hieronder staan de symptomen en de methode om de koppeling van de afstandsbediening en de ontvanger van de DC-plafondventilator te herstellen.

Problemen:

- Geen bediening mogelijk - Ventilator draait alleen op hoge snelheid na installatie
- Geen bediening mogelijk - Geen omkeerfunctie na installatie
- Geen bediening mogelijk - De afstandsbediening kan niet met de ontvanger communiceren

Oplossing:

- Schakel stroom naar de ventilator uit.
- Schakel stroom naar de ventilator in. Volg dezelfde procedure zoals beschreven in de sectie "Koppelen afstandsbediening en ontvanger" om de koppeling met de ventilator te herstellen.
- Schakel de plafondventilator in en selecteer de verschillende snelheden om de werking van de ventilator te controleren.

NA INSTALLATIE

OPMERKING: Plafondventilators hebben de neiging om tijdens het gebruik te bewegen door het feit dat ze op een rubberen doorvoertules zijn gemonteerd. Als de ventilator vast aan het plafond werd gemonteerd, zou dit buitensporige trillingen veroorzaken. Bewegingen van enkele centimeters zijn acceptabel en is geen defect van het apparaat.

OM HET WIEBELEN VAN DE VENTILATOR TE VERMINDEREN: Controleer of alle schroeven waarmee de montagebeugel en de onderstang zijn bevestigd, goed vastzitten.

BALANCERINGSSET: Een balanceringsset wordt geleverd om de plafondventilator bij de eerste installatie te balanceren. Zie de instructies voor het gebruik van de balanceringsset. De balanceringsset kan worden gebruikt om de balans te helpen herstellen als de plafondventilator uit balans raakt. Bewaar uw balanceringsset na de installatie voor toekomstig gebruik indien nodig.

GELUID:

Wanneer het stil is (vooral 's nachts) kan het zijn dat u af en toe kleine geluiden hoort. Lichte stroomschommelingen en frequentiesignalen die op het elektriciteitssignaal worden gesuperponeerd voor de warmwaterbeheersing buiten de piekuren, kunnen een verandering in het geluid van de ventilatormotor veroorzaken. Dit is normaal. Houd rekening met een "instelperiode" van 24 uur. De meeste geluiden die gepaard gaan met een nieuwe ventilator verdwijnen gedurende deze periode.

De garantie van de fabrikant dekt de werkelijke fouten die zich kunnen ontwikkelen en NIET kleine klachten zoals motorgeluid - Alle elektromotoren produceren tot op zekere hoogte geluid.

ONDERHOUD EN REINIGING

OPMERKING: Schakel altijd eerst de stroom uit met de netschakelaar voordat u onderhoud uitvoert of uw ventilator probeert te reinigen.

- Elke 6 maanden is periodieke reiniging van uw plafondventilator het enige onderhoud dat nodig is. Gebruik een



zachte borstel of pluisvrije doek om krassen op de laklaag te voorkomen. Schakel de elektriciteit uit als u dat doet.

- Laat uw plafondventilator niet weken of onderdompelen in water of andere vloeistoffen. Het kan de motor of de bladen beschadigen en een elektrische schok veroorzaken.
- Zorg ervoor dat de ventilator niet in contact komt met organische oplosmiddelen of reinigingsmiddelen.
- Om het ventilatorblad te reinigen, veegt u het af met een vochtige, schone doek met GEEN organische oplosmiddelen of reinigingsmiddelen.
- De motor heeft een permanent gesmeerde kogellager zodat er geen olie nodig is.

VEILIGHEIDSMATREGELEN VOOR DE BATTERIJ

- **WAARSCHUWING** – Houd nieuwe en gebruikte batterijen uit de buurt van kinderen.
- **OPGELET** – Slik batterijen niet in - gevaar voor chemische brandwonden.
- Gebruik altijd 2 x AAA-batterijen voor de afstandsbediening.
- Zorg ervoor dat de batterijen met de juiste polariteit zijn geplaatst.
- Om te voorkomen dat de plafondventilator tijdens het plaatsen of vervangen van de batterijen verkeerd wordt gebruikt, moet de plafondventilator worden uitgeschakeld.
- Verwijder de batterijen als u het apparaat voor langere tijd niet gebruikt.
- De batterijen moeten uit de afstandsbediening worden verwijderd voordat het apparaat wordt afgedankt.
- Gooi gebruikte batterijen onmiddellijk en veilig weg (zodat ze niet door kinderen kunnen worden bereikt). Batterijen kunnen nog steeds gevaarlijk zijn. Neem contact op met uw gemeente om de batterijen veilig af te voeren.
- Controleer het product regelmatig en zorg ervoor dat het deksel van het batterijvak goed vastzit. Als het batterijvak niet goed kan worden afgesloten, mag u het product niet meer gebruiken en moet u het buiten het bereik van kinderen houden.
- Als u denkt dat batterijen zijn ingeslikt of in een lichaamsopening zijn geplaatst, moet u onmiddellijk medische hulp inroepen.

TECHNISCHE INFORMATIE

Ventilator	62" fan - Louisville
Ventilatormodellen / SKU#	LD-62" LOU / SKU# 213175, 213176
Nominale spanning	220-240 V~ 50Hz
Nominaal vermogen (motor)	42W
Lichtbron	Dit product bevat een lichtbron van energie-efficiëntieklasse E
Nominaal vermogen (lamp)	SKU# 121357: GX53,18W, 3000K, 3 stappen-dim (Inbegrepen) Ook compatibel met SKU# 121358: GX53,18W, 4000K, 3 step-dim (niet inbegrepen)
Batterijen voor afstandsbediening	2 x AAA (niet inbegrepen)
Gewicht	8,3kg
Afmetingen van de overkapping	H:58mm Dia:150mm

GARANTIE-INFORMATIE

IN AUSTRALIË / NIEUW ZEELAND - Raadpleeg de afzonderlijke garantieverklaring.

IN EUROPA - Als u een Europese klant bent, neem dan contact op met het verkooppunt waar de ventilator is gekocht voor garanteservice.



This fan is suitable for indoor and alfresco areas where the fan is fully undercover with a minimum of 2 walls. This fan is not waterproof. When installed in an alfresco area, the ceiling fan must be positioned in a location protected from water, wind, dust and salt. Exposure to these elements will void the warranty. Mounting the fan in a situation where it is subject to water or moisture is dangerous.

EL

ΕΥΧΑΡΙΣΤΟΥΜΕ ΓΙΑ ΤΗΝ ΑΓΟΡΑ ΣΑΣ

Συγχαρητήρια για την αγορά ενός ανεμιστήρα οροφής τελευταίας τεχνολογίας όσον αφορά την ενεργειακή απόδοση. Ο ανεμιστήρας που αγοράσατε λειτουργεί με συνεχές ρεύμα (DC), έτσι ώστε να παρέχει εξαιρετική ενεργειακή απόδοση και ταυτόχρονα υψηλή ικανότητα κίνησης αέρα και αθόρυβη λειτουργία.

Ενεργειακή απόδοση - Το μοτέρ DC αποτελεί την τελευταία τεχνολογική εξέλιξη στη σχεδίαση ανεμιστήρων. Είναι ένα μοτέρ υψηλής απόδοσης, που εξοικονομεί έως και 65% περισσότερη ενέργεια σε σχέση με τα συμβατικά μοτέρ των ανεμιστήρων οροφής εναλλασσόμενου ρεύματος (AC).

Αθόρυβη λειτουργία – Το μοτέρ DC αυτού του ανεμιστήρα είναι προγραμματισμένο να λειτουργεί με σταθεροποιημένο ρεύμα, ώστε να μειώνεται αποτελεσματικά ο θόρυβος του μοτέρ.

Χαμηλή θερμοκρασία λειτουργίας – Χάρη στην αποτελεσματική διαχείριση του τροφοδοτικού DC, η θερμοκρασία λειτουργίας του μοτέρ κυμαίνεται κάτω τους 50°C. Έτσι, το μοτέρ θερμαίνεται πολύ λιγότερο από το μοτέρ ενός συμβατικού ανεμιστήρα AC και έχει μεγαλύτερη διάρκεια ζωής.

Τηλεχειριστήριο 6 ταχυτήτων – Οι συμβατικοί ανεμιστήρες οροφής AC έχουν συνήθως μόνο 3 ταχύτητες, ενώ αυτός ο ανεμιστήρας DC περιλαμβάνει τηλεχειριστήριο 6 ταχυτήτων για περισσότερες επιλογές κλιματισμού.

ΠΡΟΦΥΛΑΞΕΙΣ ΑΣΦΑΛΕΙΑΣ

1. Για την Ευρώπη: Αυτή η συσκευή μπορεί να χρησιμοποιηθεί από παιδιά ηλικίας 8 χρονών και πάνω και από άτομα με περιορισμένες σωματικές, αισθητήριες ή διανοητικές ικανότητες, ή από άτομα με ελλιπή εμπειρία και γνώσεις, εφόσον επιβλέπονται ή έχουν λάβει οδηγίες για την ασφαλή χρήση της συσκευής και κατανοούν τους εμπλεκόμενους κινδύνους. Οι εργασίες καθαρισμού και συντήρησης δεν πρέπει να πραγματοποιούνται από παιδιά χωρίς επίβλεψη.
2. Για την Αυστραλία: Αυτή η συσκευή δεν προορίζεται για χρήση από άτομα (συμπεριλαμβανομένων παιδιών) με περιορισμένες σωματικές, αισθητηριακές ή διανοητικές ικανότητες, ή ελλιπή εμπειρία και γνώσεις, εκτός και εάν επιβλέπονται ή έχουν λάβει οδηγίες για την ασφαλή χρήση της συσκευής από άτομο υπεύθυνο για την ασφάλειά τους.
3. Τα παιδιά θα πρέπει να βρίσκονται υπό επίβλεψη, προκειμένου να διασφαλιστεί ότι δε θα παίξουν με τη συσκευή.
4. Η σταθερή καλωδίωση θα πρέπει να περιλαμβάνει διακόπτη αποσύνδεσης όλων των πόλων σύμφωνα τους τοπικούς ηλεκτρολογικούς κανονισμούς.



5. Οι ηλεκτρικές συσκευές δεν πρέπει να απορρίπτονται ως σύμμεκτα αστικά απορρίμματα. Χρησιμοποιείτε τις εγκαταστάσεις συλλογής αποβλήτων ηλεκτρικού και ηλεκτρονικού εξοπλισμού. Απευθυνθείτε στις τοπικές αρχές για πληροφορίες σχετικά με τα διαθέσιμα συστήματα συλλογής. Η



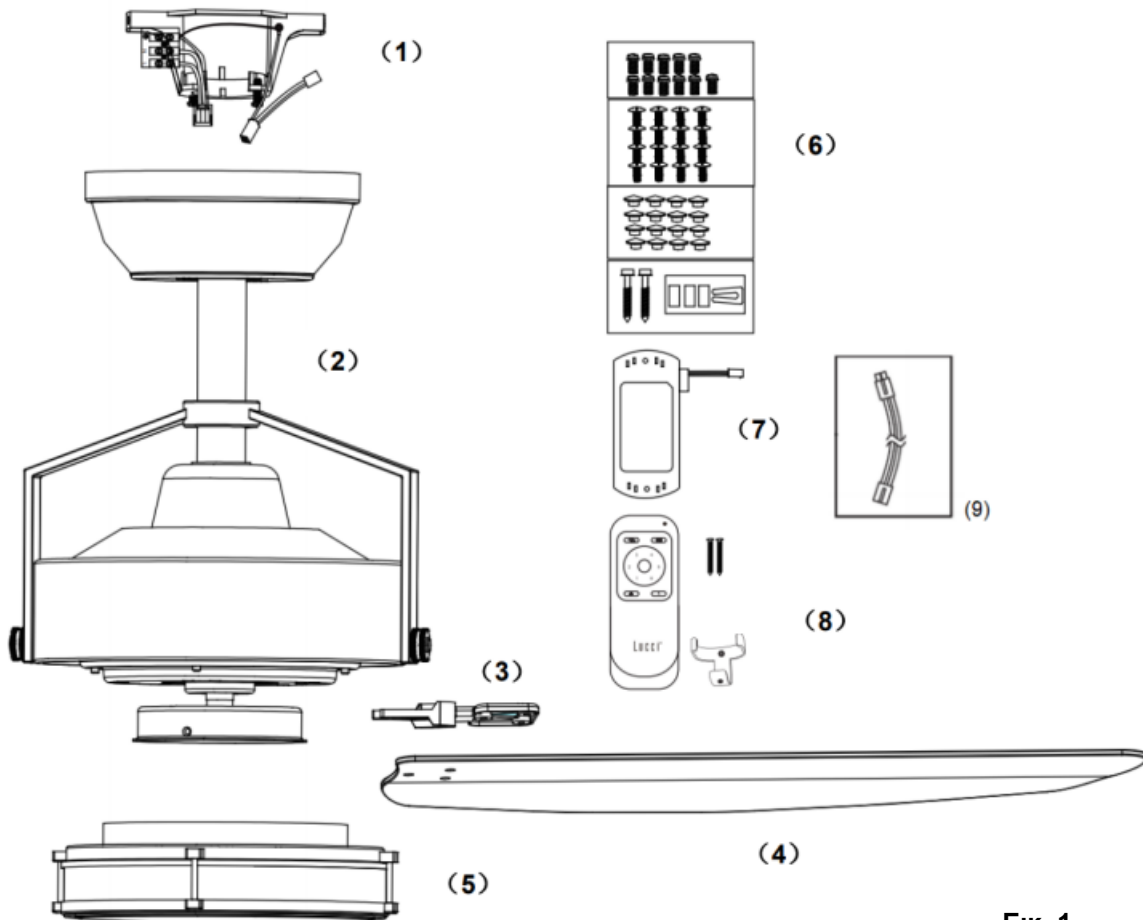
απόρριψη αποβλήτων ηλεκτρικού και ηλεκτρονικού εξοπλισμού σε χωματερές μπορεί να έχει ως αποτέλεσμα τη διαρροή επικίνδυνων ουσιών στα υπόγεια ύδατα, οι οποίες μπορεί να περάσουν στην τροφική αλυσίδα και να βλάψουν την υγεία σας.

6. Η κατασκευή στην οποία θα προσαρτηθεί ο ανεμιστήρας θα πρέπει να μπορεί να υποστηρίξει βάρος 28 kg.
7. Ο ανεμιστήρας θα πρέπει να τοποθετηθεί με τέτοιο τρόπο, ώστε τα πτερύγια να βρίσκονται τουλάχιστον 2,3 m πάνω από το δάπεδο για την Ευρώπη ή τουλάχιστον 2,1 m πάνω από το δάπεδο για την Αυστραλία.
8. Αυτός ο ανεμιστήρας μπορεί να εγκατασταθεί σε εσωτερικό και σε εξωτερικό χώρο, εφόσον ο ανεμιστήρας καλύπτεται πλήρως από τουλάχιστον 2 τοίχους. Ο ανεμιστήρας δεν είναι αδιάβροχος. Εάν εγκατασταθεί σε εξωτερικό χώρο, ο ανεμιστήρας οροφής θα πρέπει να είναι προστατευμένος από το νερό, τον αέρα, τη σκόνη και το αλάτι. Η έκθεση σε αυτά τα στοιχεία ακυρώνει την εγγύηση. Η εγκατάσταση του ανεμιστήρα σε χώρο εκτεθειμένο σε νερό ή υγρασία είναι επικίνδυνη και αυξάνει τον κίνδυνο ζημιάς, τραυματισμού ή ηλεκτροπληξίας.
9. Η συναρμολόγηση και εγκατάσταση πρέπει να γίνουν από επαγγελματία ηλεκτρολόγο.
10. ΠΡΟΕΙΔΟΠΟΙΗΣΗ: Εάν παρατηρήσετε ότι ο ανεμιστήρας οροφής κλυδωνίζεται ή ταλαντώνεται ασυνήθιστα, σταματήστε αμέσως τη χρήση του ανεμιστήρα και επικοινωνήστε με τον κατασκευαστή, τον αντιπρόσωπο σέρβις του κατασκευαστή ή κατάλληλο επαγγελματία.
11. Η αντικατάσταση των εξαρτημάτων του συστήματος ανάρτησης ασφαλείας πρέπει να πραγματοποιείται από τον κατασκευαστή, τον αντιπρόσωπο σέρβις του κατασκευαστή ή κατάλληλο επαγγελματία.
12. Τα εξαρτήματα προσάρτησης στην οροφή, όπως είναι τα άγκιστρα ή άλλες διατάξεις, πρέπει να στερεώνονται κατάλληλα, έτσι ώστε να αντέχουν 4 φορές το βάρος του ανεμιστήρα οροφής. Το σύστημα ανάρτησης θα πρέπει να εγκατασταθεί από τον κατασκευαστή, τον αντιπρόσωπο σέρβις του κατασκευαστή ή κατάλληλο επαγγελματία.



ΛΙΣΤΑ ΕΞΑΡΤΗΜΑΤΩΝ

- Αποσυναρμολογήστε προσεκτικά τον ανεμιστήρα οροφής. Αφαιρέστε όλα τα εξαρτήματα και υλικά.
- Τακτοποιήστε όλα τα εξαρτήματα σε ομαλή επιφάνεια και βεβαιωθείτε ότι δεν λείπει κανένα εξάρτημα, προτού να ξεκινήσετε τη συναρμολόγηση. Εάν λείπουν εξαρτήματα, επιστρέψτε ολόκληρο το προϊόν στο κατάστημα αγοράς για επιθεώρηση ή αντικατάσταση.
- Ελέγξτε μήπως ο ανεμιστήρας οροφής έχει υποστεί ζημιά κατά τη μεταφορά. Εάν εντοπίσετε οποιαδήποτε ζημιά, μη θέσετε σε λειτουργία και μην εγκαταστήσετε το προϊόν. Επιστρέψτε ολόκληρο το προϊόν στο κατάστημα αγοράς για επιθεώρηση, επισκευή ή αντικατάσταση.
- Ελέγξτε όλα τα εξαρτήματα και βεβαιωθείτε ότι υπάρχουν τα εξής:



Εικ. 1

1	Βραχίονας στήριξης x 1	7	Δέκτης τηλεχειρισμού x 1
2	Μονάδα ανεμιστήρα x 1	8	Τηλεχειριστήριο, βάση x 1 σετ
3	Βραχίονας πτερυγίου ανεμιστήρα x 5	9	Καλώδιο προέκτασης του κιτ φωτιστικού x 1
4	Πτερύγια x 5		
5	Κιτ φωτιστικού x 1 (ο λαμπτήρας 18 W GX53 έχει ήδη τοποθετηθεί στο φωτιστικό)		
6	Βίδες εγκατάστασης, βίδες πτερυγίων ανεμιστήρα και κιτ εξισορρόπησης x 1 σετ		

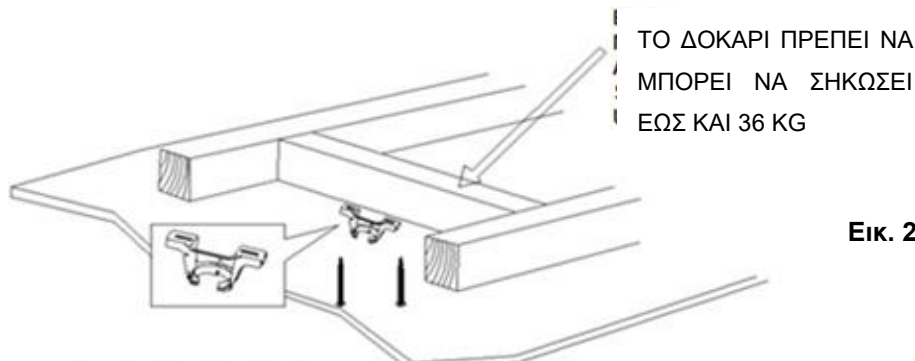


ΕΓΚΑΤΑΣΤΑΣΗ ΤΟΥ ΑΝΕΜΙΣΤΗΡΑ**ΑΠΑΙΤΟΥΜΕΝΑ ΕΡΓΑΛΕΙΑ:**

- Σταυροκατσάβιδο / ίσιο κατσαβίδι
- Πένσα
- Γαλλικό κλειδί
- Σκάλα
- Κόφτης
- Ηλεκτρικό καλώδιο, σύμφωνα με τις προδιαγραφές που ορίζουν οι κατά τόπους κανονισμοί για τις ηλεκτρικές καλωδιώσεις.

ΕΓΚΑΤΑΣΤΑΣΗ ΤΟΥ ΒΡΑΧΙΟΝΑ ΣΤΗΡΙΞΗΣ

- Ο ανεμιστήρας οροφής πρέπει να εγκατασταθεί σε τέτοιο σημείο, ώστε οι άκρες των πτερυγίων να απέχουν τουλάχιστον 300 mm από τα πλησιέστερα αντικείμενα ή τους τοίχους.
- Τοποθετήστε το στοιχείο ανάρτησης σε δοκάρι της οροφής ή άλλη κατασκευή που να μπορεί να σηκώσει βάρος τουλάχιστον 36 kg, χρησιμοποιώντας παρεχόμενες δύο μακριές βίδες. Βεβαιωθείτε ότι τουλάχιστον 30 mm της βίδας έχουν βιδωθεί στην κατασκευή ανάρτησης. (Εικ. 2)



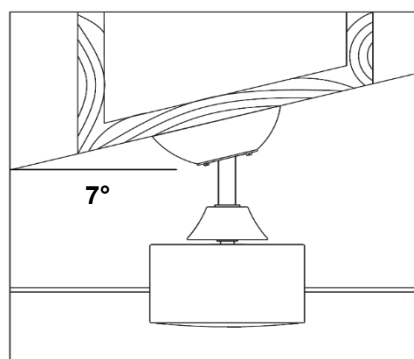
Εικ. 2

ΣΗΜΕΙΩΣΗ: Η ΕΙΚΟΝΑ ΕΙΝΑΙ ΕΝΔΕΙΚΤΙΚΗ ΚΑΙ ΔΕΝ ΑΝΤΑΠΟΚΡΙΝΕΤΑΙ ΣΤΟΝ ΠΡΑΓΜΑΤΙΚΟ ΒΡΑΧΙΟΝΑ

ΣΗΜΕΙΩΣΗ: Οι παρεχόμενες βίδες στερέωσης είναι κατάλληλες μόνο για ξύλο. Για κατασκευές από άλλο υλικό, εκτός ξύλου, θα ΠΡΕΠΕΙ να χρησιμοποιηθεί ο κατάλληλος τύπος βίδας. Βεβαιωθείτε ότι οι χρησιμοποιούμενες βίδες είναι κατάλληλες για την επιφάνεια προσάρτησης και τον περιβάλλοντα χώρο.

ΤΟΠΟΘΕΤΗΣΗ ΣΕ ΟΡΟΦΗ ΥΠΟ ΚΛΙΣΗ

Αυτό το σύστημα ανάρτησης ανεμιστήρα επιτρέπει την εγκατάσταση του ανεμιστήρα στην οροφή υπό κλίση έως και 7 μοιρών. (Εικ. 3)

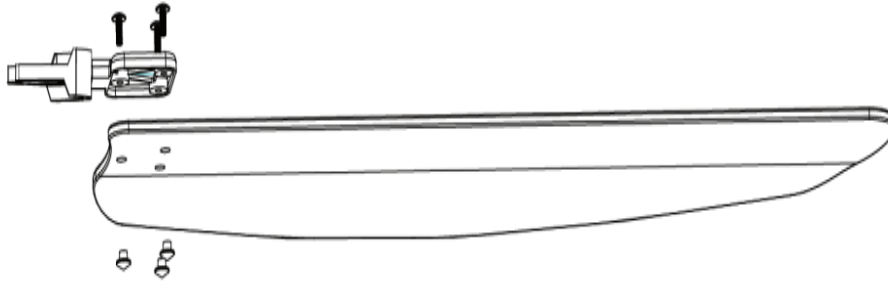
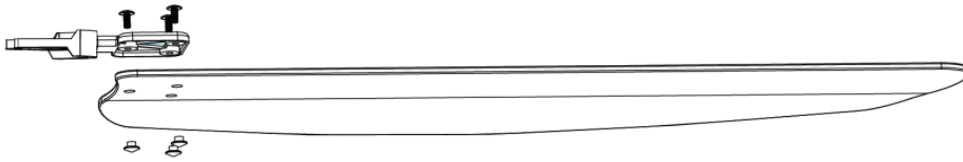


Εικ. 3

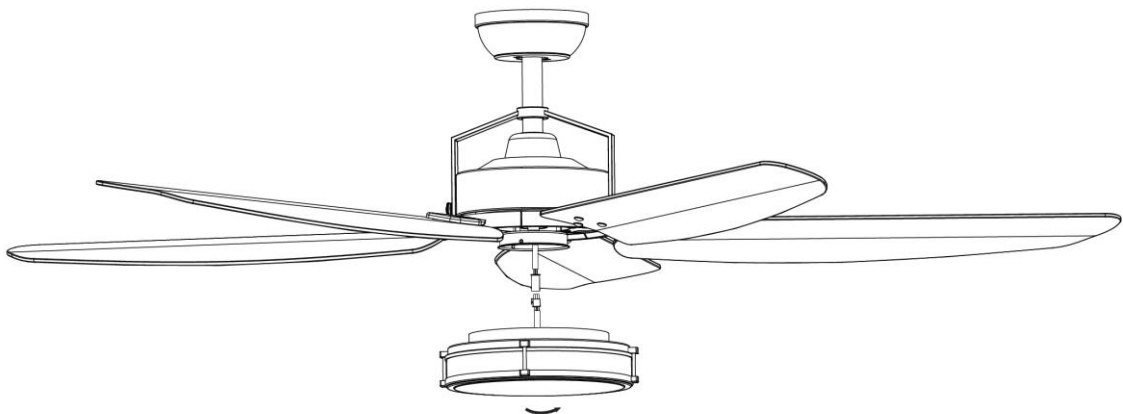


ΕΓΚΑΤΑΣΤΑΣΗ ΠΤΕΡΥΓΙΟΥ (Εικ. 4)

1. Συναρμολογήστε τα πτερύγια ανεμιστήρα στο βραχίονα, σφίγγοντας τις 3 βίδες με τα παξιμάδια.
2. Εγκαταστήστε το βραχίονα στη μονάδα ανεμιστήρα, συσφίγγοντας τις 2 βίδες.
Βεβαιωθείτε ότι έχετε συσφίξει όλες τις βίδες ομοιόμορφα, ώστε να μην υπάρχει κίνδυνος να παραμορφωθούν τα πτερύγια και να μην γέρνει ο ανεμιστήρας.
Μη συσφίγγετε υπερβολικά τις βίδες, γιατί μπορεί να υποστούν ζημιά τα πτερύγια.
3. Ακολουθήστε την ίδια διαδικασία για τα υπόλοιπα πτερύγια.

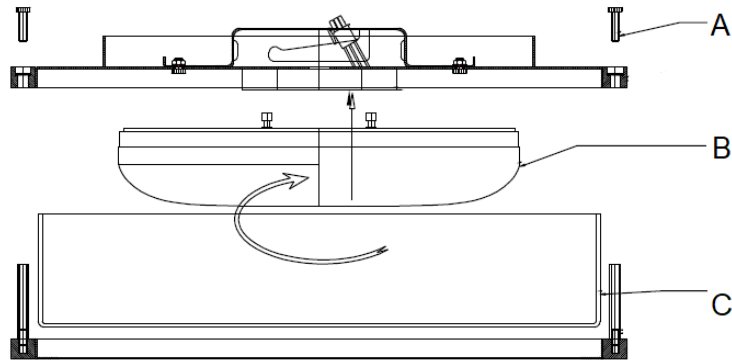
**Εικ. 4****ΕΓΚΑΤΑΣΤΑΣΗ ΤΟΥ ΚΙΤ ΦΩΤΙΣΤΙΚΟΥ (Εικ. 5)**

- **ΣΗΜΕΙΩΣΗ:** Το κιτ φωτιστικού πρέπει να εγκατασταθεί από επαγγελματία ηλεκτρολόγο.
- Συνδέστε τα καλώδια του κιτ φωτιστικού στη μονάδα ανεμιστήρα με τον ταχυσύνδεσμο.
- Εγκαταστήστε το κιτ φωτιστικού στη μονάδα ανεμιστήρα και ασφαλίστε περιστρέφοντας δεξιόστροφα.

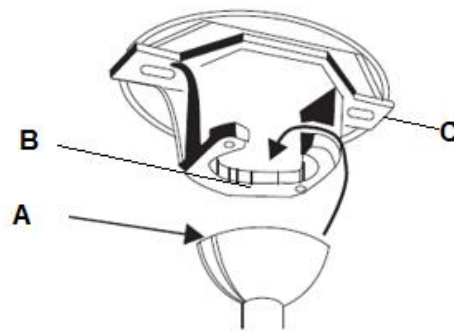
**Εικ. 5**

ΕΓΚΑΤΑΣΤΑΣΗ ΤΟΥ ΛΑΜΠΤΗΡΑ (Εικ. 6)

- **ΣΗΜΕΙΩΣΗ:** Ο λαμπτήρας GX53 έχει ήδη τοποθετηθεί στο κιτ φωτιστικού. Εάν χρειαστεί αντικατάσταση του λαμπτήρα, ακολουθήστε τις παρακάτω οδηγίες.
- Αφαιρέστε το καπέλο του φωτιστικού (C) ξεβιδώνοντας τις 3 βίδες (A).
- Αντικαταστήστε το λαμπτήρα GX53 (B) με νέο λαμπτήρα. Μην υπερβαίνετε τις μέγιστες επιτρεπόμενες τιμές ρεύματος.
- Επανατοποθετήστε το καπέλο του φωτιστικού (C) συσφίγγοντας τις 3 βίδες (A).

**Εικ. 6****ΑΝΑΡΤΗΣΗ ΤΟΥ ΑΝΕΜΙΣΤΗΡΑ**

Ανασηκώστε και τοποθετήστε τη μονάδα ανεμιστήρα πάνω στο βραχίονα στήριξης. Βεβαιωθείτε ότι σχισμή ασφάλισης (A) στη ροζέτα είναι κουμπωμένη στον πείρο ασφάλισης (B) του βραχίονα στήριξης (C), ώστε να μην περιστρέφεται ο ανεμιστήρας κατά τη λειτουργία. (Εικ. 7)

**Εικ. 7**

ΗΛΕΚΤΡΟΛΟΓΙΚΟ ΔΙΑΓΡΑΜΜΑ ΤΟΥ ΑΝΕΜΙΣΤΗΡΑ**ΠΡΟΕΤΟΙΜΑΣΙΑ ΚΑΙ ΣΥΝΔΕΣΗ ΤΗΣ ΗΛΕΚΤΡΙΚΗΣ ΚΑΛΩΔΙΩΣΗΣ --- ΗΛΕΚΤΡΟΛΟΓΙΚΟ ΔΙΑΓΡΑΜΜΑ (ΕΙΚ. 8)**

ΠΡΟΕΙΔΟΠΟΙΗΣΗ: ΓΙΑ ΤΗ ΔΙΚΗ ΣΑΣ ΑΣΦΑΛΕΙΑ, ΟΛΕΣ ΟΙ ΗΛΕΚΤΡΙΚΕΣ ΣΥΝΔΕΣΕΙΣ ΠΡΕΠΕΙ ΝΑ ΠΡΑΓΜΑΤΟΠΟΙΗΘΟΥΝ ΑΠΟ ΕΞΕΙΔΙΚΕΥΜΕΝΟ ΕΠΑΓΓΕΛΜΑΤΙΑ ΗΛΕΚΤΡΟΛΟΓΟ.

ΣΗΜΕΙΩΣΗ: Η ΣΤΑΘΕΡΗ ΚΑΛΩΔΙΩΣΗ ΠΡΕΠΕΙ ΝΑ ΠΕΡΙΛΑΜΒΑΝΕΙ ΣΥΜΠΛΗΡΩΜΑΤΙΚΟ ΔΙΑΚΟΠΤΗ ΑΠΟΜΟΝΩΣΗΣ ΟΛΩΝ ΤΩΝ ΑΓΩΓΩΝ ΡΕΥΜΑΤΟΣ (ΦΑΣΕΙΣ ΚΑΙ ΟΥΔΕΤΕΡΟ).

ΣΗΜΕΙΩΣΗ: ΕΑΝ ΕΓΚΑΤΑΣΤΑΘΟΥΝ ΔΥΟ Ή ΠΕΡΙΣΣΟΤΕΡΟΙ ΑΝΕΜΙΣΤΗΡΕΣ ΟΡΟΦΗΣ ΣΤΟΝ ΙΔΙΟ ΧΩΡΟ, ΘΑ ΠΡΕΠΕΙ ΝΑ ΥΠΑΡΧΕΙ ΔΙΑΚΟΠΤΗΣ ΑΠΟΜΟΝΩΣΗΣ ΓΙΑ ΚΑΘΕ ΑΝΕΜΙΣΤΗΡΑ. ΑΥΤΟ ΑΠΑΙΤΕΙΤΑΙ ΚΑΤΑ ΤΟΝ ΠΡΟΓΡΑΜΜΑΤΙΣΜΟ ΤΟΥ ΤΗΛΕΧΕΙΡΙΣΤΗΡΙΟΥ ΚΑΙ ΤΟΥ ΔΕΚΤΗ ΓΙΑ ΣΥΖΕΥΞΗ.

Σημείωση: Αν χρησιμοποιείται προέκταση της κάθετης ράβδου, απαιτείται το καλώδιο προέκτασης για το σετ φωτισμού (στοιχείο 9, Εικ.1).

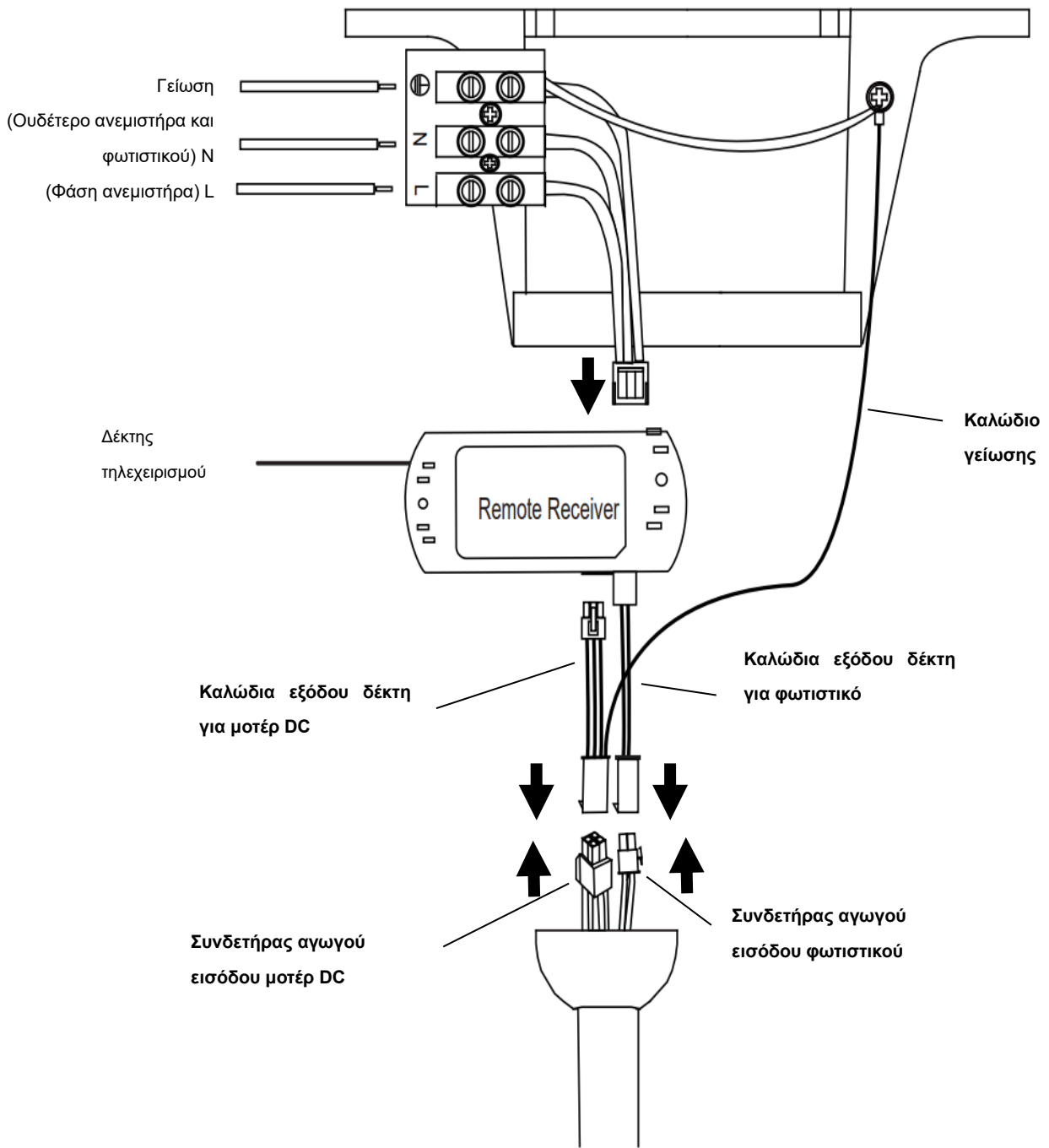
Από την παροχή δικτύου στην κλέμμα ακροδεκτών του στοιχείου ανάρτησης: (Εικ. 8)

1. Συνδέστε τον αγωγό φάσης στον ακροδέκτη «L» της κλέμματος του στοιχείου ανάρτησης.
2. Συνδέστε τον αγωγό ουδέτερου στον ακροδέκτη «N» της κλέμματος του στοιχείου ανάρτησης.
3. Συνδέστε τον αγωγό γείωσης στον ακροδέκτη γείωσης της κλέμματος του στοιχείου ανάρτησης.

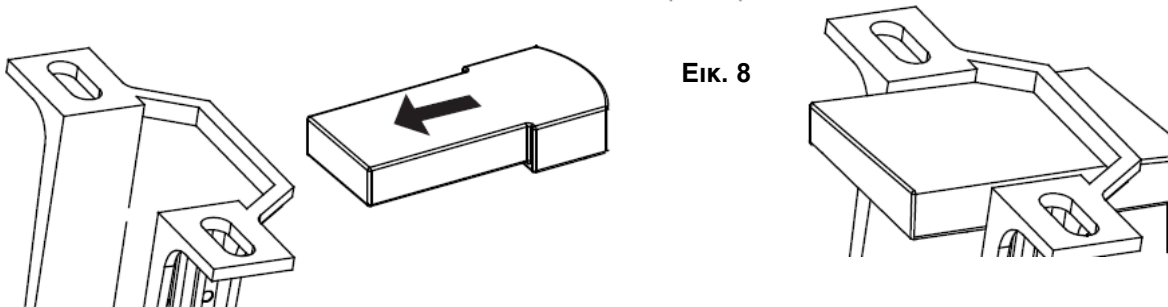
Από το στοιχείο ανάρτησης στον δέκτη και στο μοτέρ: (Εικ. 8)

4. Συνδέστε το καλώδιο παροχής από το στοιχείο ανάρτησης στην είσοδο του δέκτη μοτέρ DC.
 5. Συνδέστε τα καλώδια εξόδου για τον δέκτη μοτέρ DC (από το στοιχείο ανάρτησης με τον αγωγό γείωσης) στην έξοδο του δέκτη μοτέρ DC (Εικ. 8). Συνδέστε τα καλώδια εξόδου από τον δέκτη μοτέρ DC μαζί με το καλώδιο γείωσης (από το στοιχείο ανάρτησης με τον αγωγό γείωσης) στην είσοδο του μοτέρ του ανεμιστήρα (Εικ. 8)
 6. Συνδέστε τα καλώδια εξόδου από τον δέκτη μοτέρ DC στα καλώδια εισόδου του φωτιστικού.
- Τοποθετήστε προσεκτικά το δέκτη τηλεχειρισμού πάνω από τη ροζέτα, στον προβλεπόμενο χώρο του βραχίονα στήριξης. Προσέξτε να μην καταστραφούν και να μην αποσυνδεθούν τα καλώδια. (Εικ. 8).





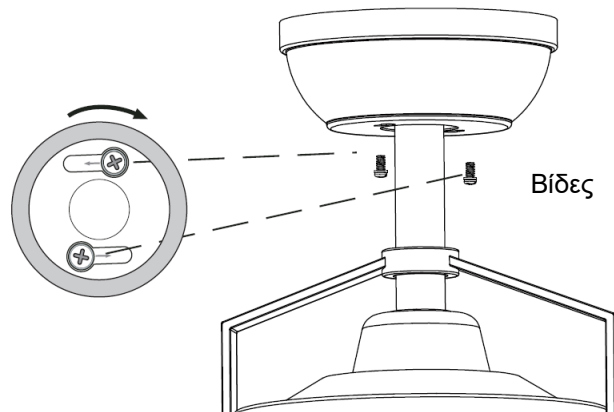
ΕΙΚ. 8



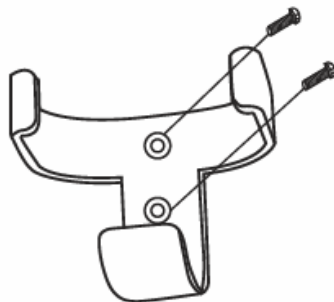
This fan is suitable for indoor and alfresco areas where the fan is fully undercover with a minimum of 2 walls. This fan is not waterproof. When installed in an alfresco area, the ceiling fan must be positioned in a location protected from water, wind, dust and salt. Exposure to these elements will void the warranty. Mounting the fan in a situation where it is subject to water or moisture is dangerous.

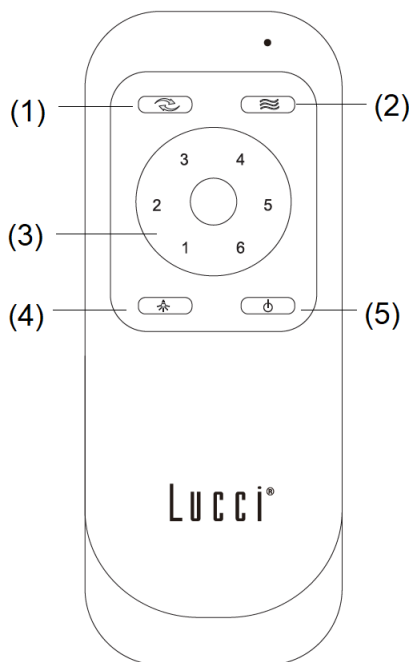
ΟΛΟΚΛΗΡΩΣΗ ΕΓΚΑΤΑΣΤΑΣΗΣ**ΕΓΚΑΤΑΣΤΑΣΗ ΡΟΖΕΤΑΣ (Εικ. 9)**

1. Βεβαιωθείτε ότι τα καλώδια γείωσης έχουν συνδεθεί σωστά και με ασφάλεια, διεξάγοντας δοκιμή συνέχειας γείωσης από το προσβάσιμο μεταλλικό σώμα του ανεμιστήρα προς την πλακέτα σύνδεσης ακροδεκτών του βραχίονα στήριξης.
2. Χαλαρώστε τις 2 βίδες στο κάτω μέρος του βραχίονα στήριξης.
3. Ωθήστε τη ροζέτα πάνω στο βραχίονα στήριξης και ευθυγραμμίστε τις οπές πάνω στη ροζέτα με τις βίδες του βραχίονα στήριξης. Περιστρέψτε τη ροζέτα ώσπου να κουμπώσει στο στενό τμήμα των οπών, και ασφαλίστε την συσφίγγοντας τις δύο βίδες. Προσέξτε να μην προκαλέσετε ζημιά στα ηλεκτρικά καλώδια που συνδέσατε προηγουμένως.

**Εικ. 9****ΤΟΠΟΘΕΤΗΣΗ ΤΗΣ ΒΑΣΗΣ ΓΙΑ ΤΟ ΤΗΛΕΧΕΙΡΙΣΤΗΡΙΟ (Εικ. 10)**

1. Επιλέξτε έναν κατάλληλο τοίχο για την εγκατάσταση της βάσης του τηλεχειριστηρίου με τις 2 βίδες. (Εικ. 10a).
2. Τοποθετήστε το τηλεχειριστήριο στη βάση. (Εικ. 10b)

**Εικ. 10a****Εικ. 10b**

ΧΡΗΣΗ ΤΟΥ ΑΝΕΜΙΣΤΗΡΑ ΟΡΟΦΗΣ**ΤΗΛΕΧΕΙΡΙΣΤΗΡΙΟ (Εικ. 11)**

- (1) Έλεγχος αναστροφής
 (2) Φυσικός αέρας (αυτόματος κύκλος ταχύτητας μεταξύ 1 και 6 του ανεμιστήρα)
 (3) Έλεγχος ταχύτητας
 (4) Ενεργοποίηση/απενεργοποίηση φωτιστικού
 (5) Ενεργοποίηση/Απενεργοποίηση ανεμιστήρα
 (6) Μπαταρία 1,5 V AAA x 2 τμχ. (δεν περιλαμβάνεται)

**Εικ. 11****ΧΕΙΡΙΣΜΟΣ ΦΩΤΙΣΜΟΥ (Εικ. 11)**

Ο λαμπτήρας GX53 LED διαθέτει ενσωματωμένο ροοστάτη 3 βαθμίδων.

- Αρχικά, ανάψτε το λαμπτήρα με φωτεινότητα 100% – πιέστε μια φορά το κουμπί φωτισμού (4) στο τηλεχειριστήριο.
 - Πιέστε το κουμπί φωτισμού για σβήσετε και άλλη μια εντός 3 δευτερολέπτων για να ανάψετε ξανά το φωτισμό, για φωτεινότητα 50%.
 - Πιέστε το κουμπί φωτισμού για σβήσετε και άλλη μια εντός 3 δευτερολέπτων για να ανάψετε ξανά το φωτισμό, για φωτεινότητα 15%.
- (Εάν το άναμμα και το σβήσιμο του φωτισμού δεν επιτευχθεί εντός 3 δευτερολέπτων, ο λαμπτήρας θα επανέλθει σε φωτεινότητα 100%).


ΣΥΖΕΥΞΗ ΤΗΛΕΧΕΙΡΙΣΤΗΡΙΟΥ ΚΑΙ ΔΕΚΤΗ – ΟΤΑΝ ΕΧΕΙ ΕΓΚΑΤΑΣΤΑΘΕΙ 1 ΑΝΕΜΙΣΤΗΡΑΣ ΟΡΟΦΗΣ DC ΣΤΟ ΧΩΡΟ

ΣΗΜΕΙΩΣΗ: Βεβαιωθείτε ότι έχει εγκατασταθεί μονοπολικός διακόπτης αποσύνδεσης στη σταθερή καλωδίωση του ανεμιστήρα.

ΣΗΜΕΙΩΣΗ: Βεβαιωθείτε ότι έχετε ενεργοποιήσει το δέκτη πριν από τη σύζευξη του τηλεχειριστηρίου με το δέκτη.

- Απενεργοποιήστε την παροχή ρεύματος του ανεμιστήρα από τον επιτοίχιο διακόπτη ON/OFF.
- Τοποθετήστε τις μπαταρίες στο τηλεχειριστήριο. Βεβαιωθείτε ότι οι πόλοι της μπαταρίας είναι προσανατολισμένοι σωστά.



- Ενεργοποιήστε το δέκτη.
- Πατήστε και διατηρήστε πατημένο για 10 δευτερόλεπτα το κουμπί «» του τηλεχειριστηρίου, εντός 30 δευτερολέπτων από τη στιγμή που θα ενεργοποιήσετε το δέκτη του ανεμιστήρα οροφής.
- Θα ακουστεί ένας ήχος «μπιπ» από το δέκτη, επιβεβαιώνοντας ότι η διαδικασία σύζευξης είναι επιτυχής.
- Ενεργοποιήστε τον ανεμιστήρα οροφής και αλλάξτε την ταχύτητα του ανεμιστήρα από το τηλεχειριστήριο, για να ελέγξετε εάν λειτουργεί σωστά και έχει γίνει σωστά η σύζευξη.


ΣΥΖΕΥΞΗ ΤΗΛΕΧΕΙΡΙΣΤΗΡΙΟΥ ΚΑΙ ΔΕΚΤΗ – ΟΤΑΝ ΕΧΟΥΝ ΕΓΚΑΤΑΣΤΑΘΕΙ 2 Ή ΠΕΡΙΣΣΟΤΕΡΟΙ ΑΝΕΜΙΣΤΗΡΕΣ ΟΡΟΦΗΣ DC ΣΤΟΝ ΙΔΙΟ ΧΩΡΟ

Εάν υπάρχουν δύο ή περισσότεροι ανεμιστήρες οροφής σε κοντινή μεταξύ τους απόσταση, ενδεχομένως να θελήσετε ξεχωριστή σύζευξη του τηλεχειριστηρίου/δέκτη για κάθε ανεμιστήρα, ώστε η λειτουργία του ενός ανεμιστήρα να μην επηρεάζει τη λειτουργία των υπολοίπων.

ΣΗΜΕΙΩΣΗ: Βεβαιωθείτε ότι έχει εγκατασταθεί μονοπολικός διακόπτης αποσύνδεσης στη σταθερή καλωδίωση του κάθε ανεμιστήρα.

ΣΗΜΕΙΩΣΗ: Βεβαιωθείτε ότι έχετε **ενεργοποιήσει** το δέκτη, πριν από τη σύζευξη του τηλεχειριστηρίου με το δέκτη.


Σύζευξη τηλεχειριστηρίου/δέκτη για ανεμιστήρα οροφής 1:

- Απενεργοποιήστε τους δέκτες και των δύο ανεμιστήρων οροφής 1 και 2.
- Τοποθετήστε τις μπαταρίες στο τηλεχειριστήριο. Βεβαιωθείτε ότι οι πόλοι της μπαταρίας είναι προσανατολισμένοι σωστά.
- Ενεργοποιήστε το δέκτη 1. Κρατήστε το δέκτη 2 απενεργοποιημένο. (Κάθε ανεμιστήρας πρέπει να διαθέτει ξεχωριστό διακόπτη απομόνωσης, έτσι ώστε να είναι ενεργοποιημένος μόνο ο ανεμιστήρας που πρέπει να συζευχθεί με το τηλεχειριστήριο).
- Πατήστε και διατηρήστε πατημένο για 10 δευτερόλεπτα το κουμπί «» του **τηλεχειριστηρίου 1**, εντός 30 δευτερολέπτων από τη στιγμή που θα ενεργοποιήσετε το δέκτη του ανεμιστήρα οροφής 1.
- Θα ακουστεί ένας ήχος «μπιπ» από το δέκτη, επιβεβαιώνοντας ότι η διαδικασία σύζευξης είναι επιτυχής.
- Ενεργοποιήστε τον ανεμιστήρα οροφής και αλλάξτε την ταχύτητα του ανεμιστήρα 1 από το τηλεχειριστήριο, για να ελέγξετε εάν λειτουργεί σωστά και έχει γίνει σωστά η σύζευξη.

Σύζευξη τηλεχειριστηρίου/δέκτη για ανεμιστήρα οροφής 2:

- Απενεργοποιήστε τους δέκτες και των δύο ανεμιστήρων οροφής 1 και 2.
- Τοποθετήστε τις μπαταρίες στο τηλεχειριστήριο. Βεβαιωθείτε ότι οι πόλοι της μπαταρίας είναι προσανατολισμένοι σωστά.
- Ενεργοποιήστε το δέκτη 2. Κρατήστε το δέκτη 1 απενεργοποιημένο. (Κάθε ανεμιστήρας πρέπει να διαθέτει ξεχωριστό διακόπτη απομόνωσης, έτσι ώστε να είναι ενεργοποιημένος μόνο ο ανεμιστήρας που πρέπει να συζευχθεί με το τηλεχειριστήριο).



- Πατήστε και διατηρήστε πατημένο για 10 δευτερόλεπτα το κουμπί «» του **τηλεχειριστηρίου 2**, εντός 30 δευτερολέπτων από τη στιγμή που θα ενεργοποιήσετε το δέκτη του ανεμιστήρα οροφής 2.
- Θα ακουστεί ένας ήχος «μπιπ» από το δέκτη, επιβεβαιώνοντας ότι η διαδικασία σύζευξης είναι επιτυχής.
- Ενεργοποιήστε τον ανεμιστήρα οροφής και αλλάξτε την ταχύτητα του ανεμιστήρα 2 από το τηλεχειριστήριο, για να ελέγξετε εάν λειτουργεί σωστά και έχει γίνει σωστά η σύζευξη.

ΑΠΟΚΑΤΑΣΤΑΣΗ ΤΗΣ ΣΥΖΕΥΞΗΣ ΔΕΚΤΗ ΚΑΙ ΤΗΛΕΧΕΙΡΙΣΤΗΡΙΟΥ

Εάν χαθεί η σύζευξη μεταξύ δέκτη και τηλεχειριστηρίου μετά την εγκατάσταση ή κατά τη διάρκεια λειτουργίας του ανεμιστήρα, θα πρέπει να αποκαταστήσετε τη σύζευξη. Παρακάτω αναφέρονται οι ενδείξεις απόζευξης και η μέθοδος αποκατάστασης της σύζευξης ανάμεσα στο τηλεχειριστήριο και τον δέκτη του ανεμιστήρα οροφής DC.

Προβλήματα:

- Απώλεια σύζευξης – Ο ανεμιστήρας λειτουργεί μόνο στην υψηλή ταχύτητα μετά την εγκατάσταση.
- Απώλεια σύζευξης – Ο ανεμιστήρας δε λειτουργεί αντίστροφα μετά την εγκατάσταση.
- Απώλεια σύζευξης – Το τηλεχειριστήριο δεν επικοινωνεί με το δέκτη.

Αντιμετώπιση:

- Αποσυνδέστε τον ανεμιστήρα οροφής από την παροχή ρεύματος.
- Συνδέστε τον ανεμιστήρα οροφής στην παροχή ρεύματος. Ακολουθήστε την ίδια διαδικασία με εκείνη που περιγράφεται στην ενότητα «Σύζευξη τηλεχειριστηρίου και δέκτη» για να αποκαταστήσετε τη λειτουργία του ανεμιστήρα σας.
- Ενεργοποιήστε και επιλέξτε διαφορετική ταχύτητα στον ανεμιστήρα οροφής για να ελέγξετε τη λειτουργία του.

ΚΑΤΟΠΙΝ ΕΓΚΑΤΑΣΤΑΣΗΣ

ΣΗΜΕΙΩΣΗ: Οι ανεμιστήρες οροφής έχουν την τάση να κινούνται κατά τη διάρκεια της λειτουργίας επειδή είναι στερεωμένοι πάνω σε ελαστική ροδέλα. Αν ο ανεμιστήρας ήταν στερεωμένος στην οροφή επάνω σε άκαμπτα στοιχεία, αυτό θα προκαλούσε υπερβολικές δονήσεις. Η μετακίνηση κατά μερικά εκατοστά είναι αποδεκτή και ΔΕΝ συνιστά πρόβλημα.

ΓΙΑ ΝΑ ΠΕΡΙΟΡΙΣΕΤΕ ΤΟΝ ΚΛΥΔΩΝΙΣΜΟ ΤΟΥ ΑΝΕΜΙΣΤΗΡΑ: Βεβαιωθείτε ότι όλες οι βίδες που συγκρατούν το βραχίονα στήριξης και την κάθετη ράβδο είναι καλά συσφιγμένες.

ΚΙΤ ΕΞΙΣΟΡΡΟΠΗΣΗΣ: Παρέχεται ένα κιτ εξισορρόπησης του ανεμιστήρα οροφής κατά την αρχική εγκατάσταση. Ανατρέξτε στις οδηγίες για να μάθετε πώς χρησιμοποιείται το κιτ εξισορρόπησης. Μπορείτε να χρησιμοποιήσετε το κιτ εξισορρόπησης για να ρυθμίσετε ξανά τον ανεμιστήρα εάν αρχίσει να γέρνει εκ νέου. Μετά την εγκατάσταση, φυλάξτε το κιτ εξισορρόπησης για μελλοντική χρήση.

ΘΟΡΥΒΟΣ:



Όταν επικρατεί ησυχία (ιδιαίτερα τη νύχτα), ενδέχεται να ακούσετε σποραδικά μικρούς θορύβους. Μικρές διακυμάνσεις της έντασης ρεύματος και παρεμβολές σημάτων συχνότητας στο ηλεκτρικό κύκλωμα θέρμανσης νερού εκτός ωρών αιχμής μπορεί να αλλάξουν το θόρυβο του μοτέρ του ανεμιστήρα. Αυτό είναι φυσιολογικό. Περιμένετε ένα 24ωρο ώσπου να εξομαλυνθεί η λειτουργία του ανεμιστήρα. Οι περισσότεροι θόρυβοι που ακούγονται όταν λειτουργεί για πρώτη φορά ο ανεμιστήρας θα εξαφανιστούν μετά από αυτό το διάστημα.

Η εγγύηση του κατασκευαστή καλύπτει πραγματικά σφάλματα που μπορεί να παρουσιαστούν και ΟΧΙ παράπονα ήσσονος σημασίας, όπως ο ήχος λειτουργίας του μοτέρ – όλοι οι ηλεκτρικοί κινητήρες εκπέμπουν κάποιο θόρυβο.

ΦΡΟΝΤΙΔΑ ΚΑΙ ΚΑΘΑΡΙΣΜΟΣ

ΣΗΜΕΙΩΣΗ: Απενεργοποιείτε πάντοτε τον ανεμιστήρα από το διακόπτη προτού να πραγματοποιήσετε εργασίες συντήρησης ή καθαρισμού.

- Η μόνη συντήρηση που απαιτεί ο ανεμιστήρας οροφής είναι ο περιοδικός καθαρισμός του κάθε 6 μήνες. Χρησιμοποιήστε μια μαλακή βούρτσα ή ένα πανί που δεν αφήνει χνούδι για να μη χαράξετε τη βαφή. Απενεργοποιείτε πάντοτε τον ανεμιστήρα από το διακόπτη πριν τον καθαρισμό.
- Μη μουλιάζετε και μη βυθίζετε τον ανεμιστήρα οροφής σε νερό ή άλλα υγρά. Μπορεί να υποστεί ζημιά το μοτέρ ή τα πτερύγια, ενώ αυξάνεται ο κίνδυνος ηλεκτροπληξίας.
- Προσέξτε να μην έρθει σε επαφή ο ανεμιστήρας με οργανικούς διαλύτες ή καθαριστικά.
- Για να καθαρίσετε τα πτερύγια του ανεμιστήρα, χρησιμοποιείτε μόνο ένα καθαρό νωπό πανί, χωρίς οργανικούς διαλύτες ή καθαριστικά.
- Το μοτέρ διαθέτει ένα ένσφαιρο έδρανο μόνιμης λίπανσης, οπότε δεν απαιτεί καμία λίπανση.

ΠΡΟΦΥΛΑΞΕΙΣ ΑΣΦΑΛΕΙΑΣ ΓΙΑ ΤΗΝ ΜΠΑΤΑΡΙΑ

- **ΠΡΟΕΙΔΟΠΟΙΗΣΗ** – Φυλάσσετε τις νέες και τις χρησιμοποιημένες μπαταρίες μακριά από παιδιά.
- **ΠΡΟΣΟΧΗ** – Μην καταπίνετε τις μπαταρίες - Κίνδυνος χημικού εγκαύματος.
- Χρησιμοποιείτε πάντα 2 μπαταρίες τύπου AAA με αυτό το τηλεχειριστήριο του ανεμιστήρα οροφής.
- Τοποθετήστε τις μπαταρίες με τη σωστή πολικότητα.
- Για να μην τεθεί κατά λάθος σε λειτουργία ο ανεμιστήρας κατά την εισαγωγή ή την αντικατάσταση των μπαταριών, πρέπει να αποσυνδέσετε τον ανεμιστήρα οροφής από την παροχή ρεύματος.
- Αφαιρείτε τις μπαταρίες από το προϊόν, εφόσον δεν πρόκειται να χρησιμοποιηθεί για μεγάλο διάστημα.
- Οι μπαταρίες πρέπει να αφαιρούνται από το τηλεχειριστήριο προτού το απορρίψετε.
- Απορρίψτε τις χρησιμοποιημένες μπαταρίες αμέσως και με ασφάλεια (έτσι ώστε να μην μπορούν να τις βρουν τα παιδιά). Οι άδειες μπαταρίες παραμένουν επικίνδυνες. Επικοινωνήστε με την τοπική δημοτική αρχή σχετικά με την ασφαλή απόρριψη της μπαταρίας.
- Ελέγχετε τακτικά το προϊόν για να βεβαιωθείτε ότι το καπάκι της θήκης μπαταριών είναι καλά ασφαλισμένο. Εάν δεν κλείνει καλά το καπάκι της θήκης μπαταριών, σταματήστε να χρησιμοποιείτε το προϊόν και φυλάξτε το μακριά από τα παιδιά.
- Εάν πιστεύετε ότι κάποιος έχει καταπιεί μπαταρίες ή έχει τοποθετήσει μπαταρίες σε οποιοδήποτε μέρος του σώματός του, απευθυνθείτε αμέσως σε γιατρό.



ΤΕΧΝΙΚΑ ΧΑΡΑΚΤΗΡΙΣΤΙΚΑ

Ανεμιστήρας	Ανεμιστήρας 62" – Louisville
Μοντέλα ανεμιστήρα / Αριθ. SKU	LD-62" LOU / SKU# 213175, 213176
Ονομαστική τάση	220-240V~ 50Hz
Ονομαστική ισχύς (μοτέρ)	42 W
Πηγή φωτισμού	Αυτό το προϊόν περιέχει μια πηγή φωτισμού κλάσης ενεργειακής απόδοσης E
Ονομαστική ισχύς (λαμπτήρας)	SKU# 121357: GX53,18W, 3000K, 3 step-dim (Περιλαμβάνεται) Επίσης συμβατό με SKU# 121358: GX53,18W, 4000K, 3 step-dim (δεν περιλαμβάνεται)
Μπαταρία τηλεχειριστηρίου	2 x AAA (δεν περιλαμβάνεται)
Βάρος	8,3 kg
Διαστάσεις ροζέτας	Υ:58 mm Διάμ.:150 mm

ΠΛΗΡΟΦΟΡΙΕΣ ΕΓΓΥΗΣΗΣ

ΣΤΗΝ ΑΥΣΤΡΑΛΙΑ / ΝΕΑ ΖΗΛΑΝΔΙΑ – Ανατρέξτε στην ξεχωριστή ΔΗΛΩΣΗ ΕΓΓΥΗΣΗΣ.

ΣΤΗΝ ΕΥΡΩΠΗ – Εάν είστε πελάτης από την Ευρώπη, απευθυνθείτε στο κατάστημα λιανικής όπου αγοράσατε τον ανεμιστήρα, για σέρβις στο πλαίσιο της εγγύησης.



This fan is suitable for indoor and alfresco areas where the fan is fully undercover with a minimum of 2 walls. This fan is not waterproof. When installed in an alfresco area, the ceiling fan must be positioned in a location protected from water, wind, dust and salt. Exposure to these elements will void the warranty. Mounting the fan in a situation where it is subject to water or moisture is dangerous.